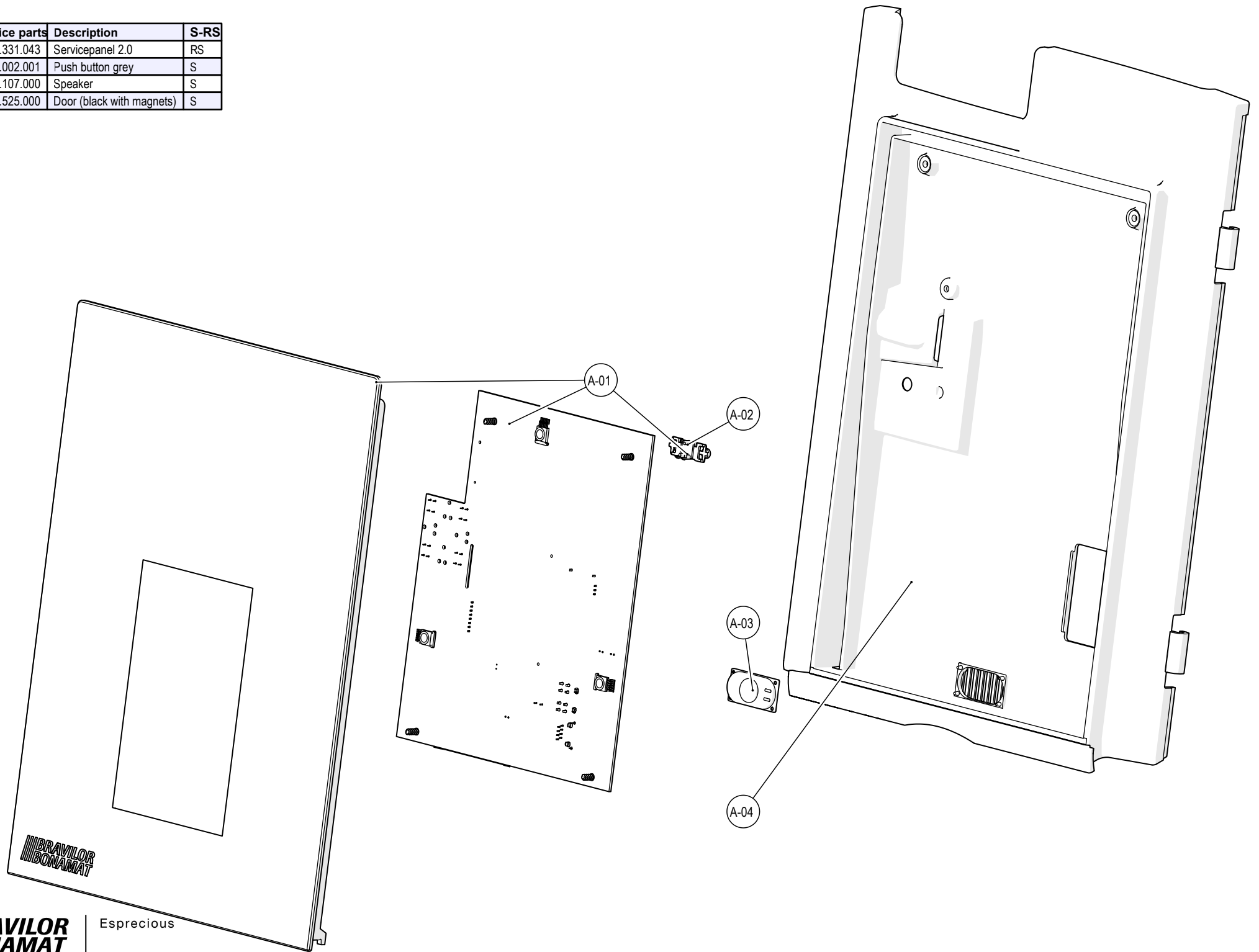
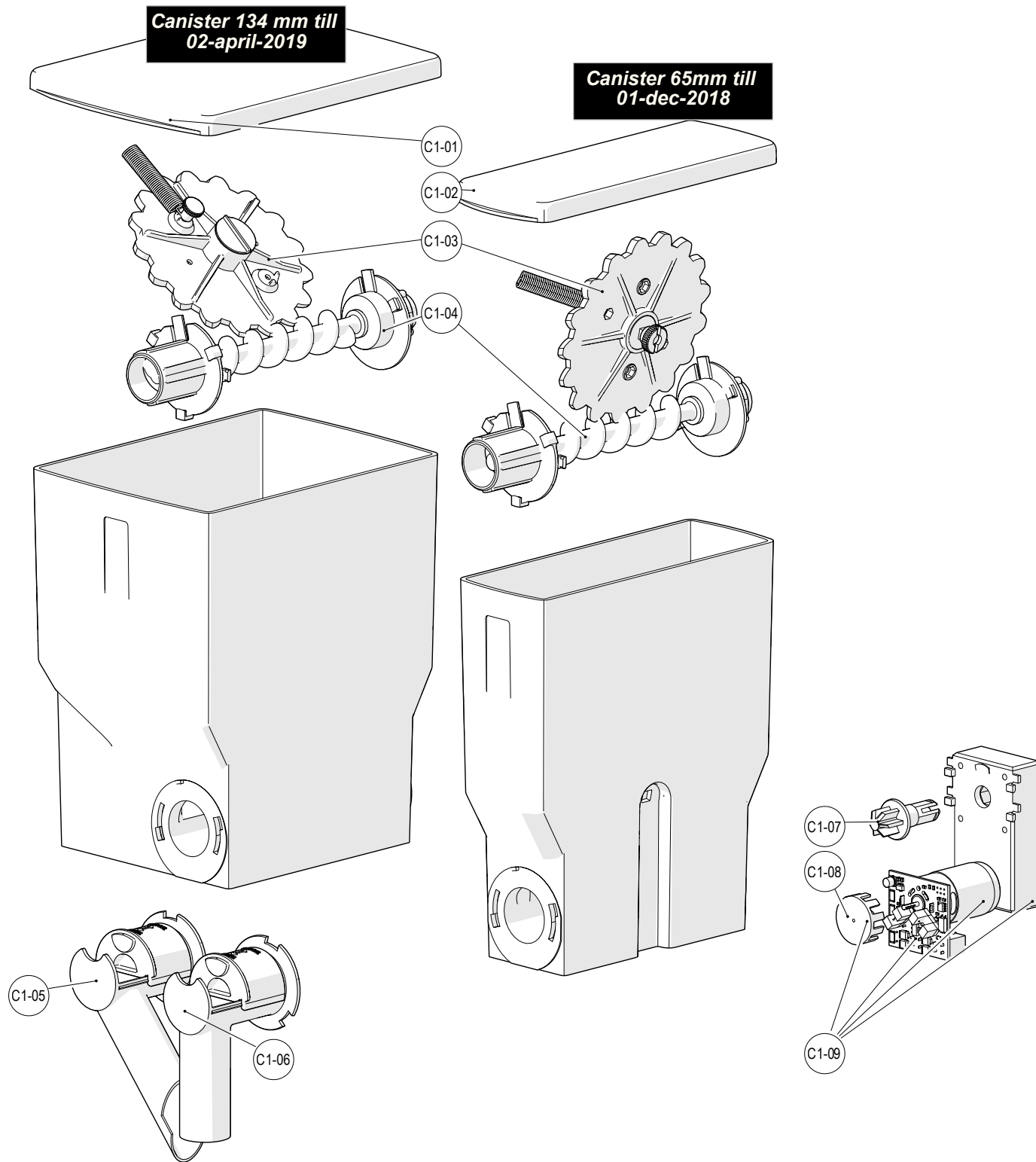


ID	Service parts	Description	S-RS
A-01	6.000.331.043	Servicepanel 2.0	RS
A-02	6.402.002.001	Push button grey	S
A-03	6.331.107.000	Speaker	S
A-04	6.331.525.000	Door (black with magnets)	S

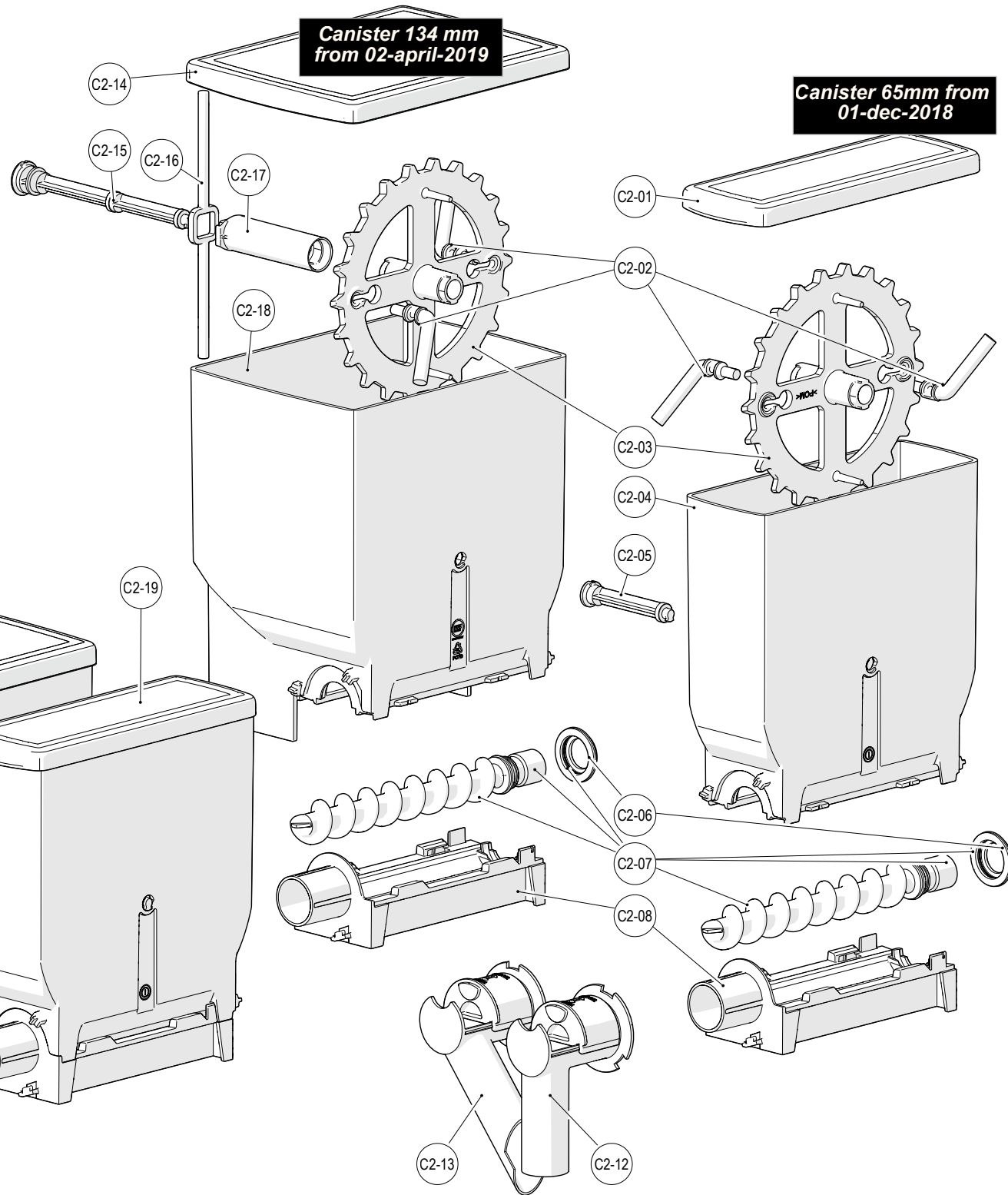




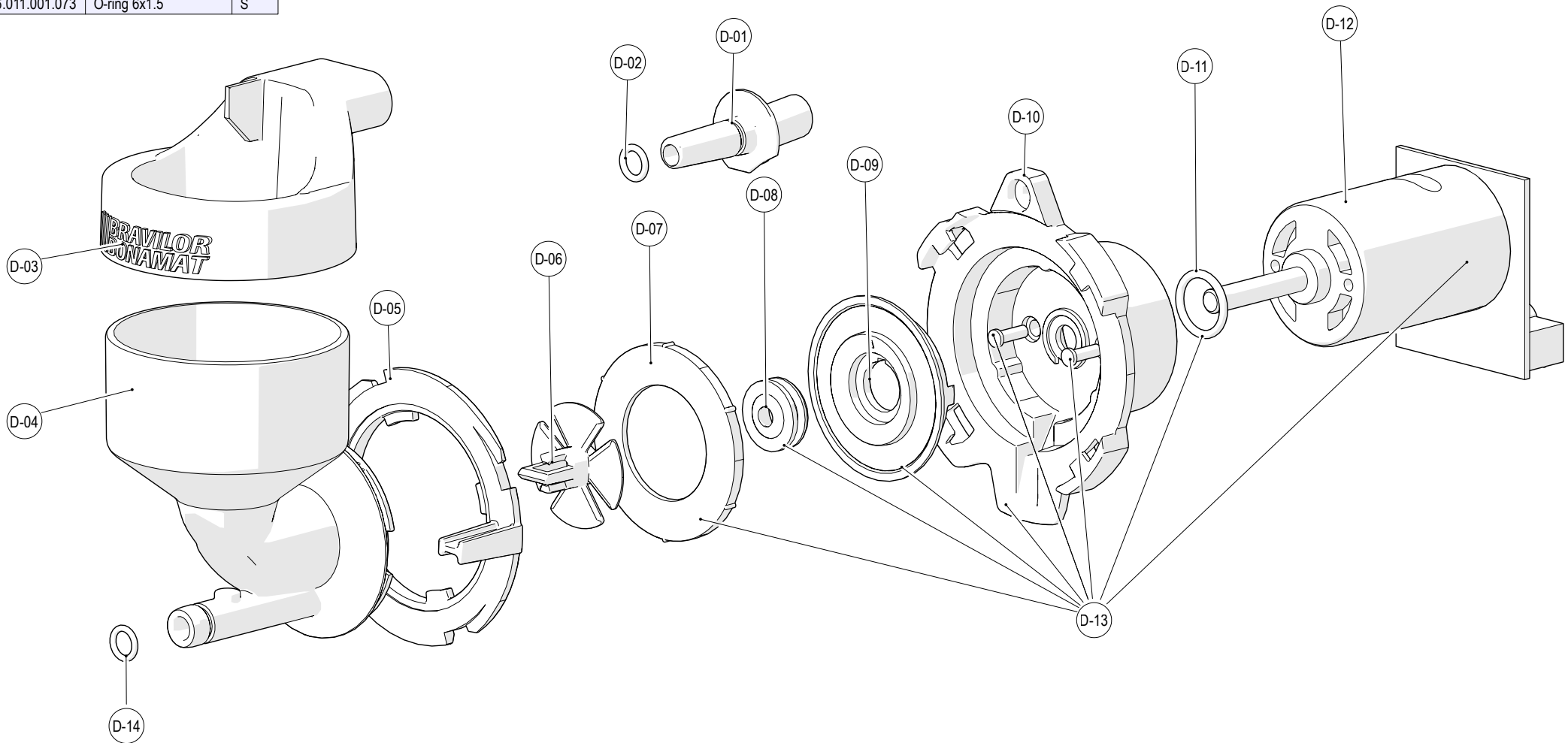
ID	Service parts	Description	S-RS
C1-01	6.229.274.001	Lid 134mm	S
C1-02	6.229.273.001	Lid 65mm	S
C1-03	6.000.229.102	Drive shaft assy	S
C1-04	6.000.229.122	Set of canister spare parts	S
C1-05	6.229.932.000	Outlet canister left	S
C1-06	6.229.931.000	Outlet canister central	S
C1-07	6.030.074.006	Drive shaft	S
C1-08	6.229.594.001	Positioning wheel	S
C1-09	6.030.070.037	Canister motor	RS



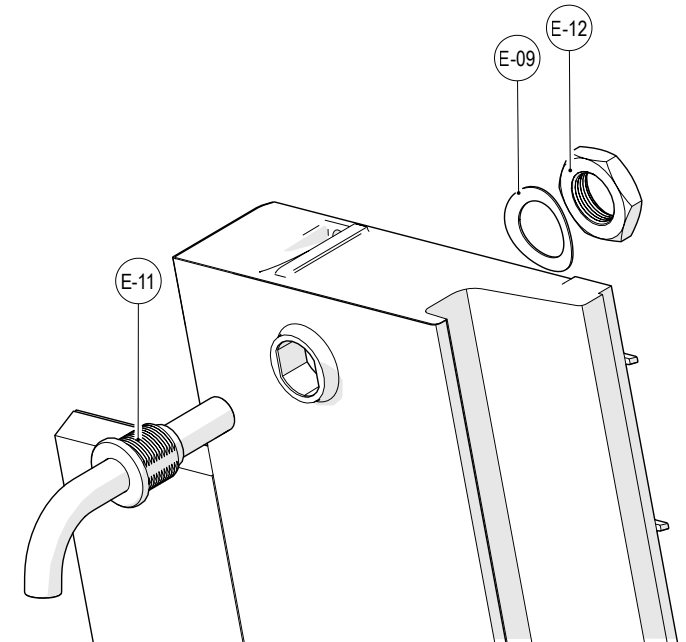
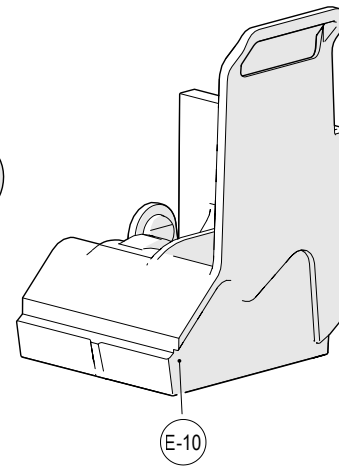
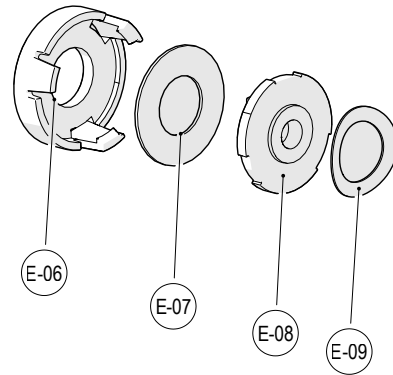
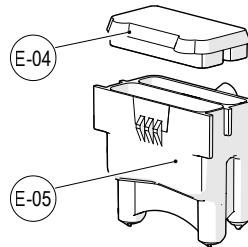
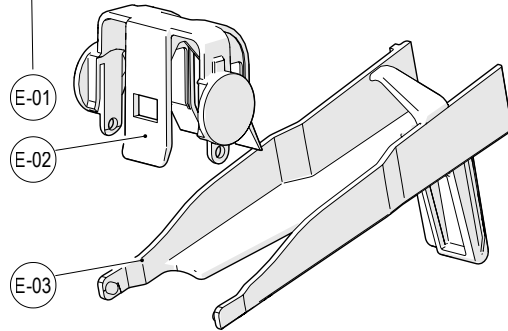
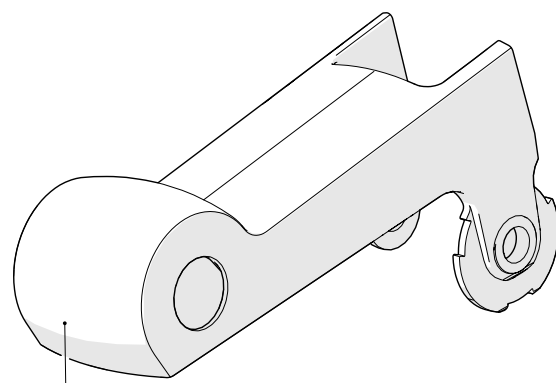
ID	Service parts	Description	S-RS
C2-01	6.329.480.000	Lid 65mm	S
C2-02	6.329.478.001	Wiper	S
C2-03	6.329.477.001	Drive shaft	S
C2-04	6.329.476.001	Canister casing	S
C2-05	6.329.486.001	Axle	S
C2-06	6.329.479.001	Seal	S
C2-07	6.000.229.219	Worm (assy)	S
C2-08	6.329.474.001	Canister bottom	S
C2-09	6.030.074.006	Drive shaft	S
C2-10	6.229.594.001	Positioning wheel	S
C2-11	6.030.070.037	Canister motor	RS
C2-12	6.229.931.000	Outlet canister central	S
C2-13	6.229.932.000	Outlet canister left	S
C2-14	6.229.274.001	Lid 134mm	S
C2-15	6.329.502.001	Axle	S
C2-16	6.329.503.001	Wiper	S
C2-17	6.329.543.001	Adapter piece wiper	S
C2-18	6.329.500.001	Canister casing	S
C2-19	6.000.229.183	Canister 65 mm (assy)	S
C2-20	6.000.229.197	Canister 134 mm (assy)	S



ID	Service parts	Description	S-RS
D-01	6.229.580.001	Water inlet 6 mm	S
D-02	6.011.001.152	O-ring	S
D-03	6.229.808.001	Condense reservoir	S
D-04	6.229.805.001	Mixing chamber 6 mm	S
D-05	6.229.809.001	Fastening ring	S
D-06	6.229.803.001	Whipper disk	S
D-07	6.229.806.001	Rubber seal mixer	S
D-08	6.030.071.020	Rubber seal mixer	S
D-09	6.229.807.001	Holder rubber seal	S
D-10	6.229.810.001	Plate mixer moter	S
D-11	6.011.001.094	O-ring 13x2	RS
D-12	6.331.237.000	Mixer motor incl. print	RS
D-13	6.000.229.238	Mixer motor (assy)	RS
D-14	6.011.001.073	O-ring 6x1.5	S

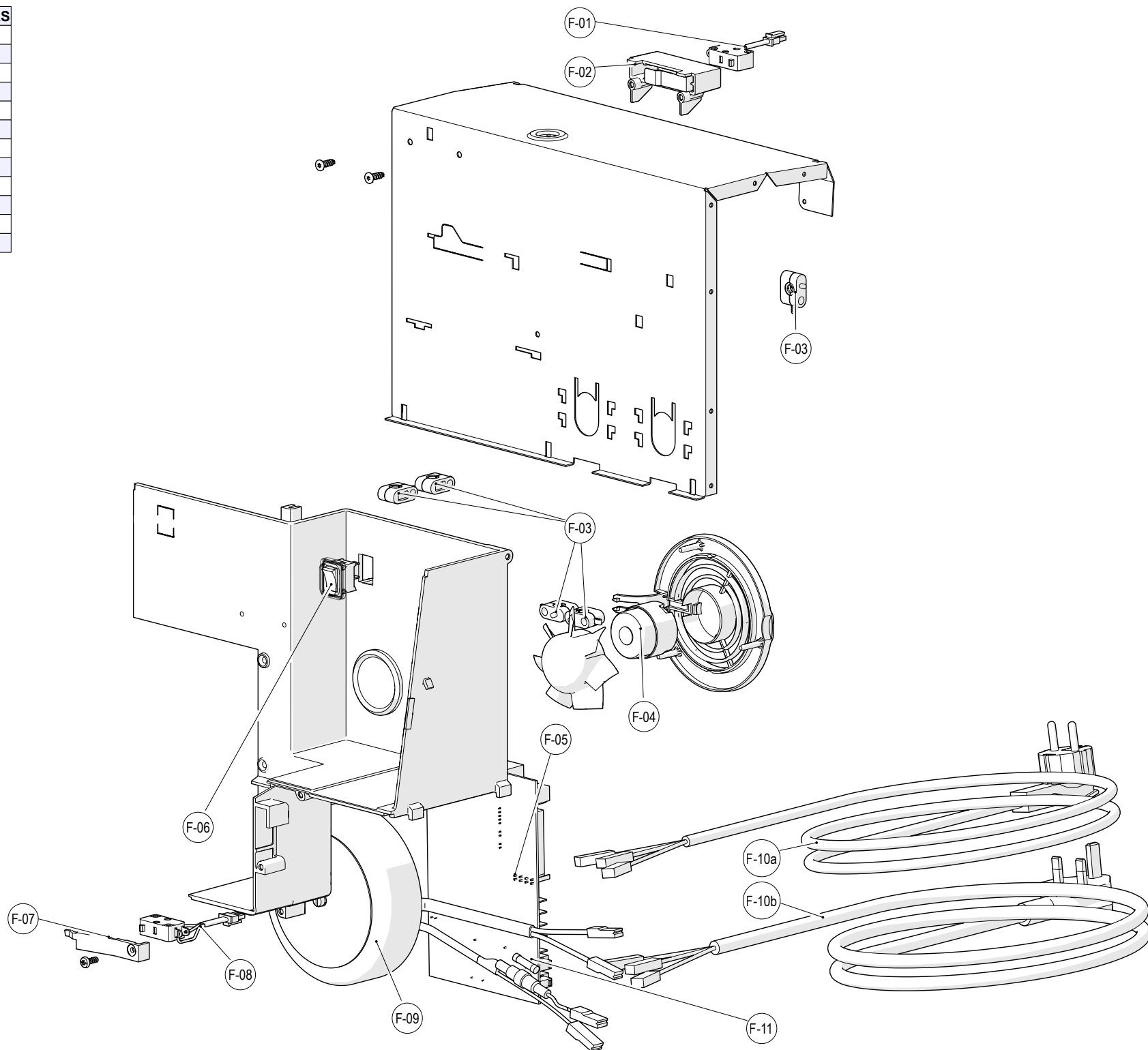


	Service parts	Description	S-RS
E-01	6.331.027.001	Outletcover	S
E-02	6.331.283.001	Clip beverages outlet	S
E-03	6.331.284.001	Arm beverages outlet	S
E-04	6.331.286.001	Lid	S
E-05	6.331.285.001	Outlet piece dual	S
E-06	6.331.062.001	Cylinder holder	S
E-07	6.331.076.001	Ring	S
E-08	6.331.061.001	Pressure unit	S
E-09	6.001.012.101	Spring washer	S
E-10	6.331.028.001	Holder outlet	S
E-11	6.331.024.000	Discharge tube	S
E-12	6.331.023.001	Nut M16 X 1	S

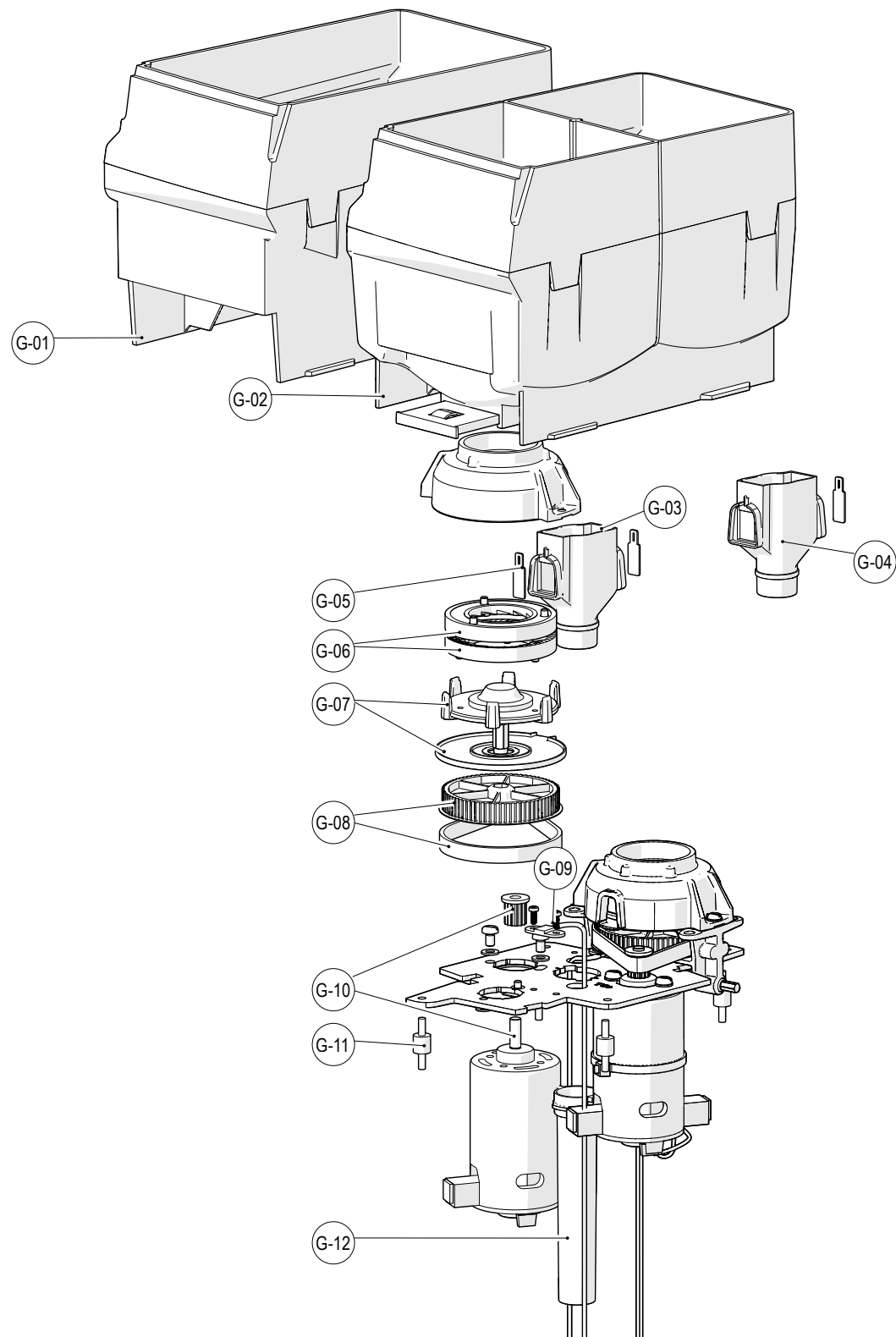


ID	Service parts	Description	S-RS
F-01	6.331.401.000	Switch	RS
F-02	6.331.133.001	Protection cover	S
F-03	6.006.012.004	Pull relief	DT
F-04	6.000.229.146	Fan	RS
F-05	6.331.059.000	Mainboard	RS
F-06	6.004.001.089	Switch	RS
F-07	6.331.125.001	Spring	S
F-08	6.331.058.200	Switch	RS
F-09	6.331.137.000	Trafo + fuse	RS
F-10a	6.003.012.176	Connection cord	DT
F-10b	6.003.012.178	Connection cord (GB)	DT </td
F-11	6.005.011.035	Fuse 0.8A TT 5x20mm (10 pcs)	S

6.000.331.021 Bus wires (complete set)

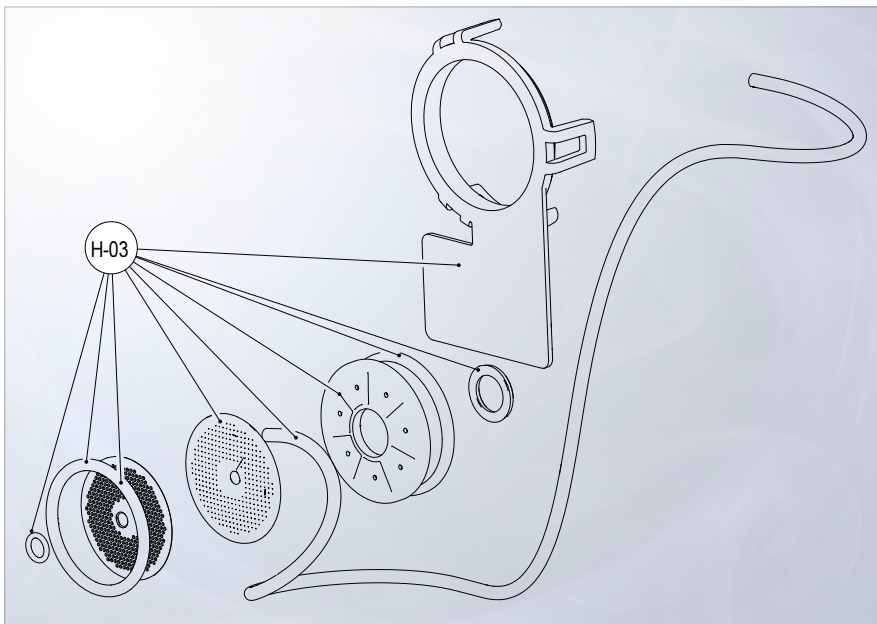
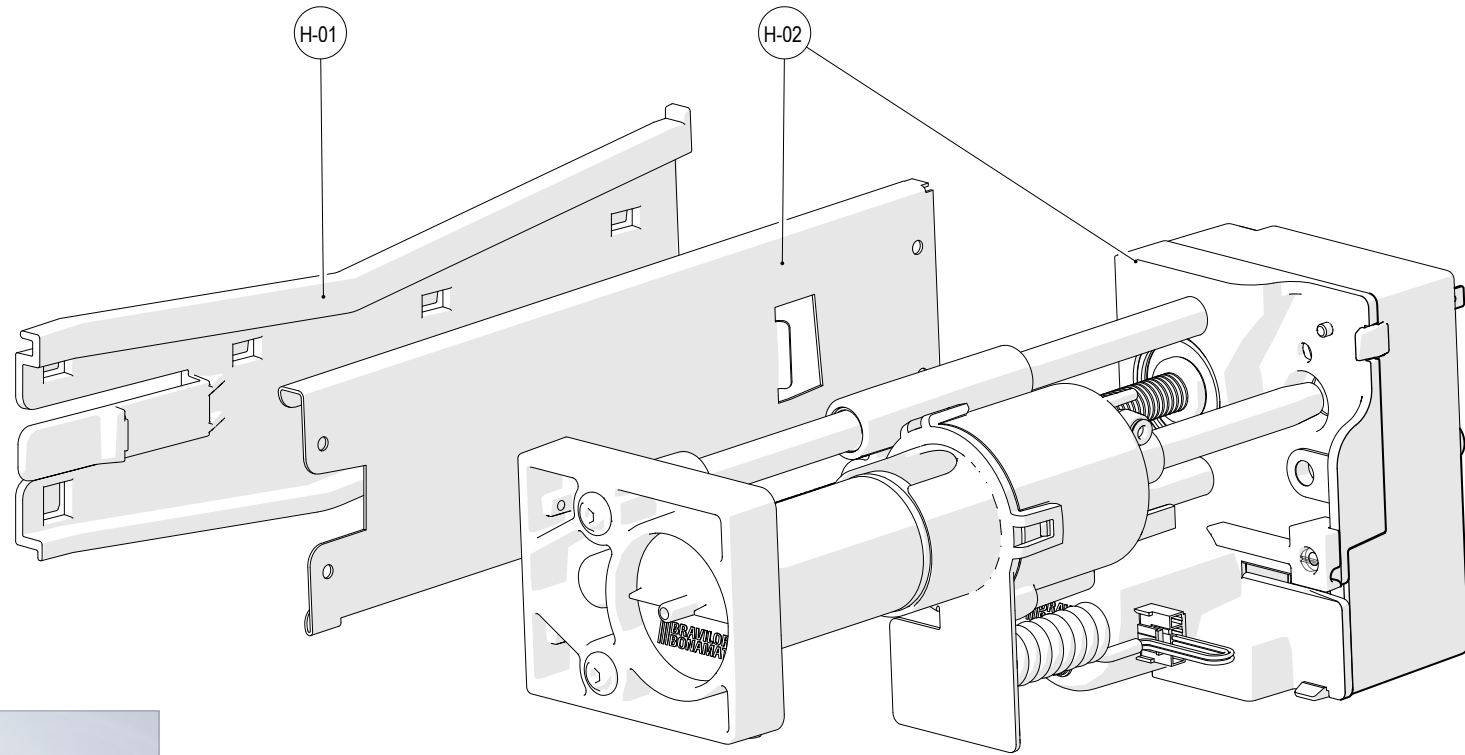


ID	Service parts	Description	S-RS
G-01	6.000.331.003	Canister single	S
G-02	6.000.331.004	Canister double	S
G-03	6.331.055.001	Coffee chute (dual)	S
G-04	6.331.090.001	Coffee chute (single)	S
G-05	6.030.079.104	Flapper	DT
G-06	6.030.079.105	Grinding discs ceramic	RS
G-07	6.030.079.110	Rotating burr carrier	DT
G-08	6.030.079.106	V-string+drive shaft	S
G-09	6.030.079.007	Sensor	RS
G-10	6.030.079.107	Motor+ drive shaft 230V DC	RS
G-11	6.001.152.008	Vibration damper Ø10x10 M4x10	S
G-12	6.331.091.001	Coffee shute extention	DT

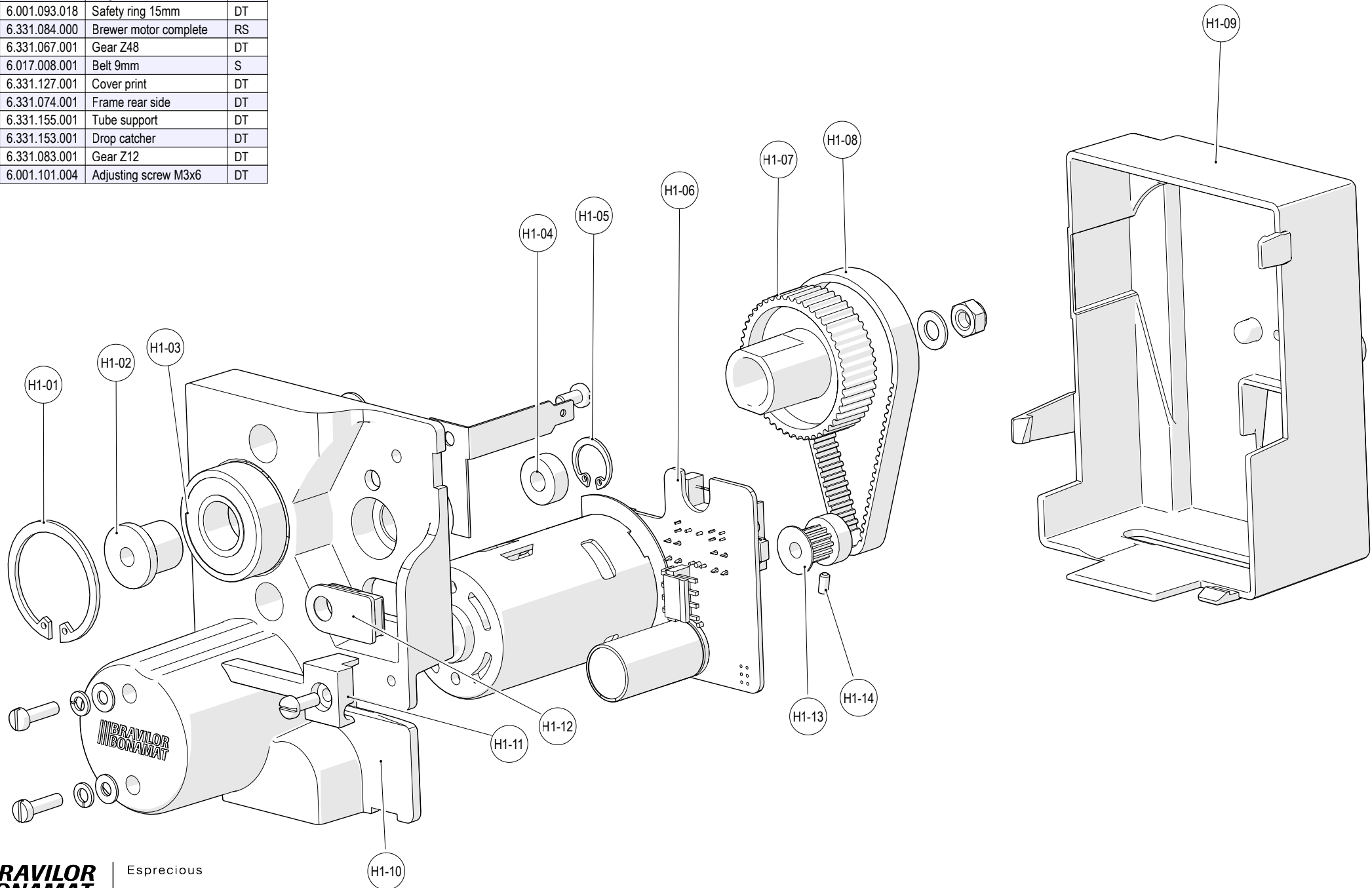




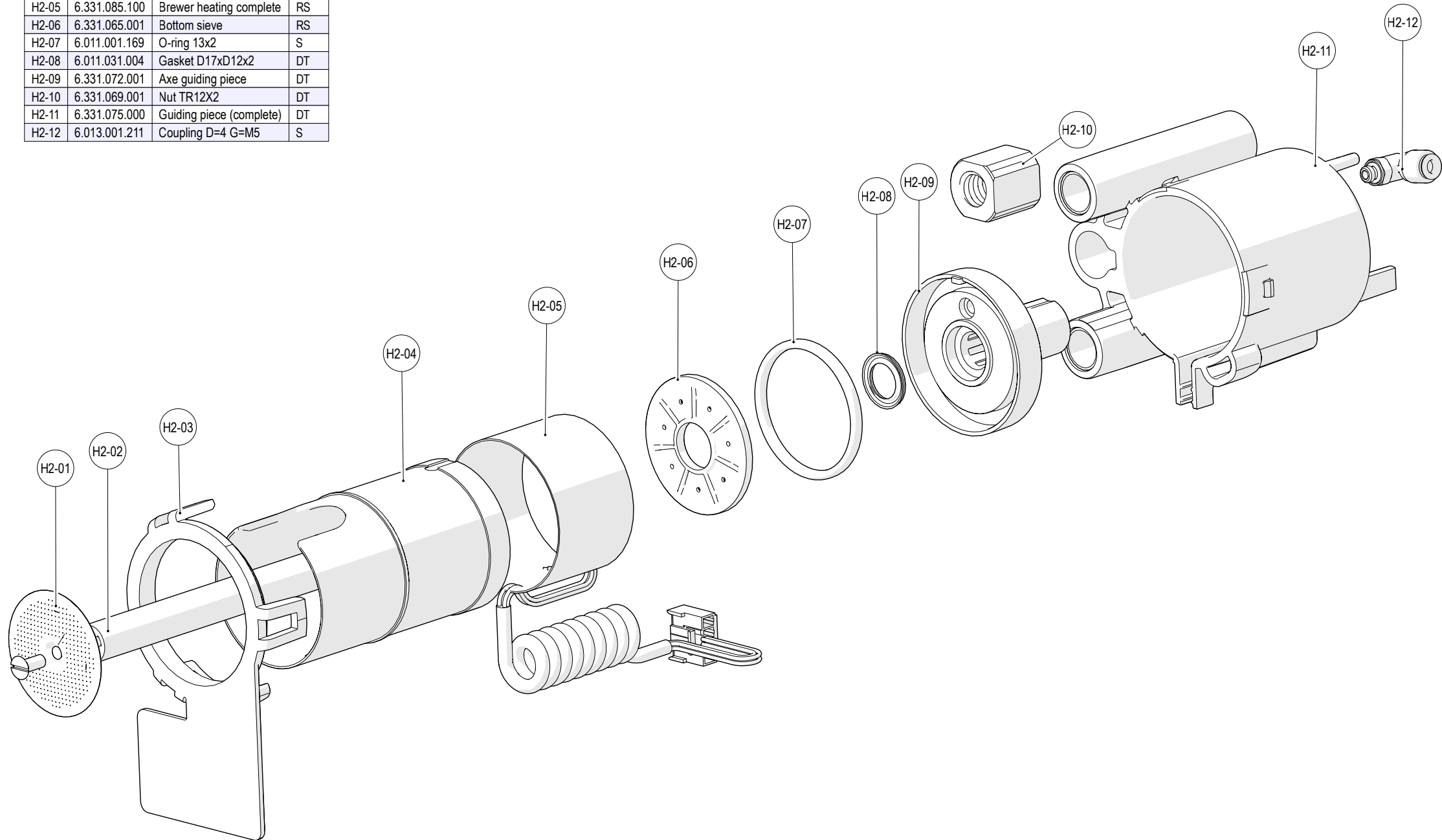
ID	Service parts	Description	S-RS
H-01	6.331.050.001	Bracket suspension brewer	S
H-02	6.000.331.011	Espressobrewer BB (complete)	RS
H-03	6.000.331.023	Brewer service set	S



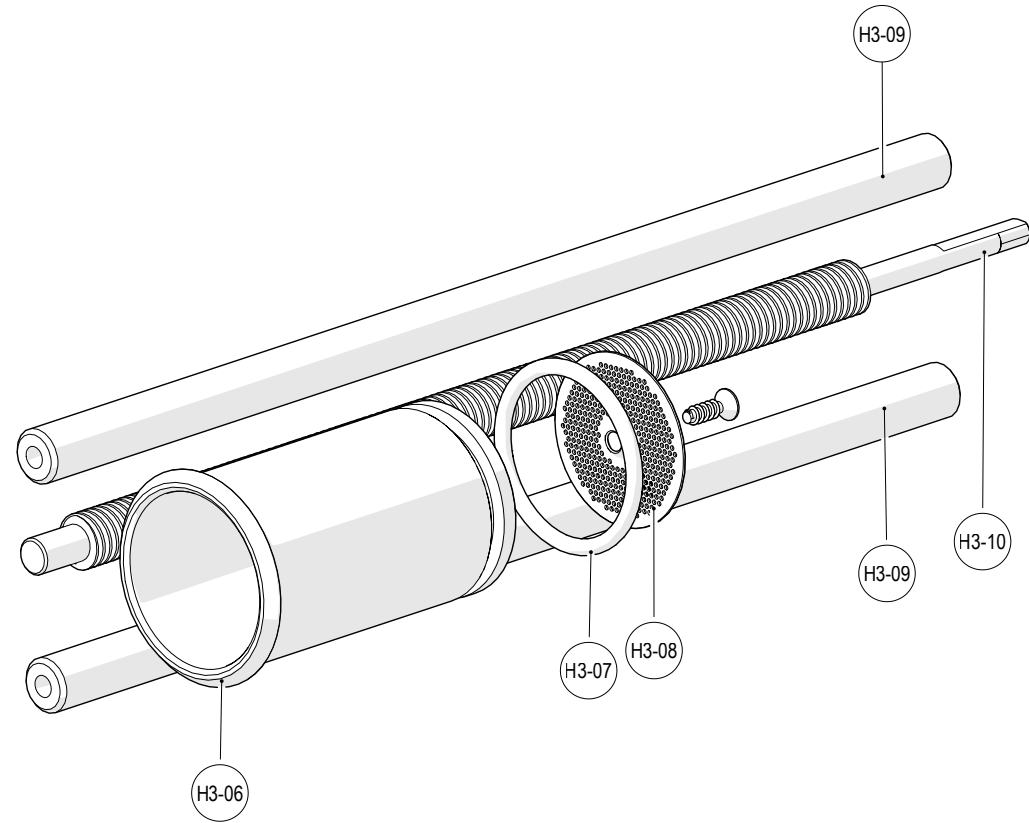
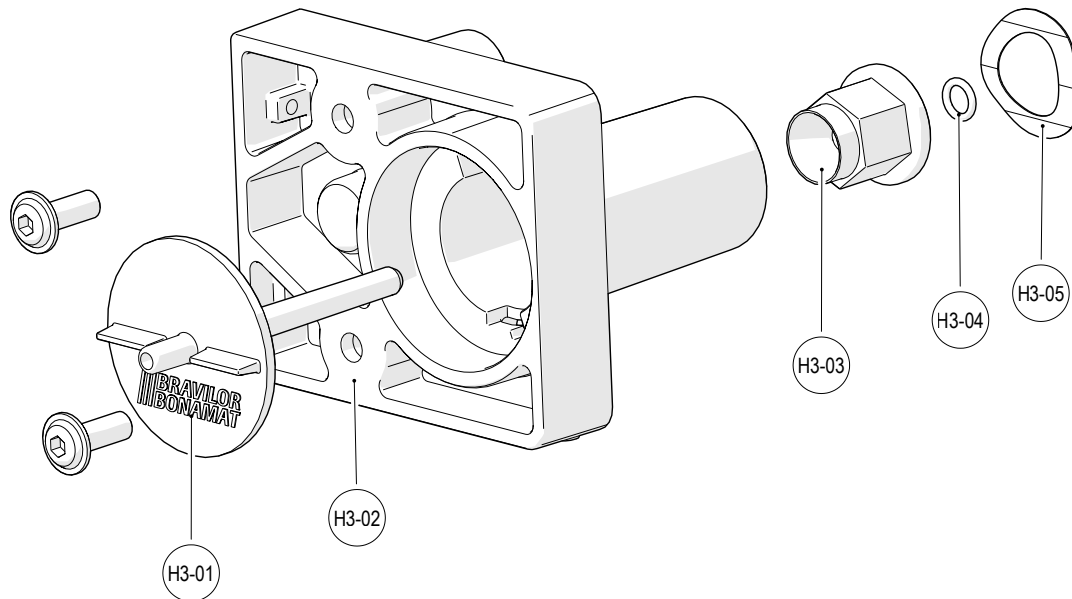
	Service parts	Description	S-RS
H1-01	6.001.093.016	Safety ring 35mm	DT
H1-02	6.331.082.001	Spindel stopper	DT
H1-03	6.018.021.001	Ball Bearing D35xD15x11	DT
H1-04	6.017.003.013	Magnet D15x6x6	S
H1-05	6.001.093.018	Safety ring 15mm	DT
H1-06	6.331.084.000	Brewer motor complete	RS
H1-07	6.331.067.001	Gear Z48	DT
H1-08	6.017.008.001	Belt 9mm	S
H1-09	6.331.127.001	Cover print	DT
H1-10	6.331.074.001	Frame rear side	DT
H1-11	6.331.155.001	Tube support	DT
H1-12	6.331.153.001	Drop catcher	DT
H1-13	6.331.083.001	Gear Z12	DT
H1-14	6.001.101.004	Adjusting screw M3x6	DT



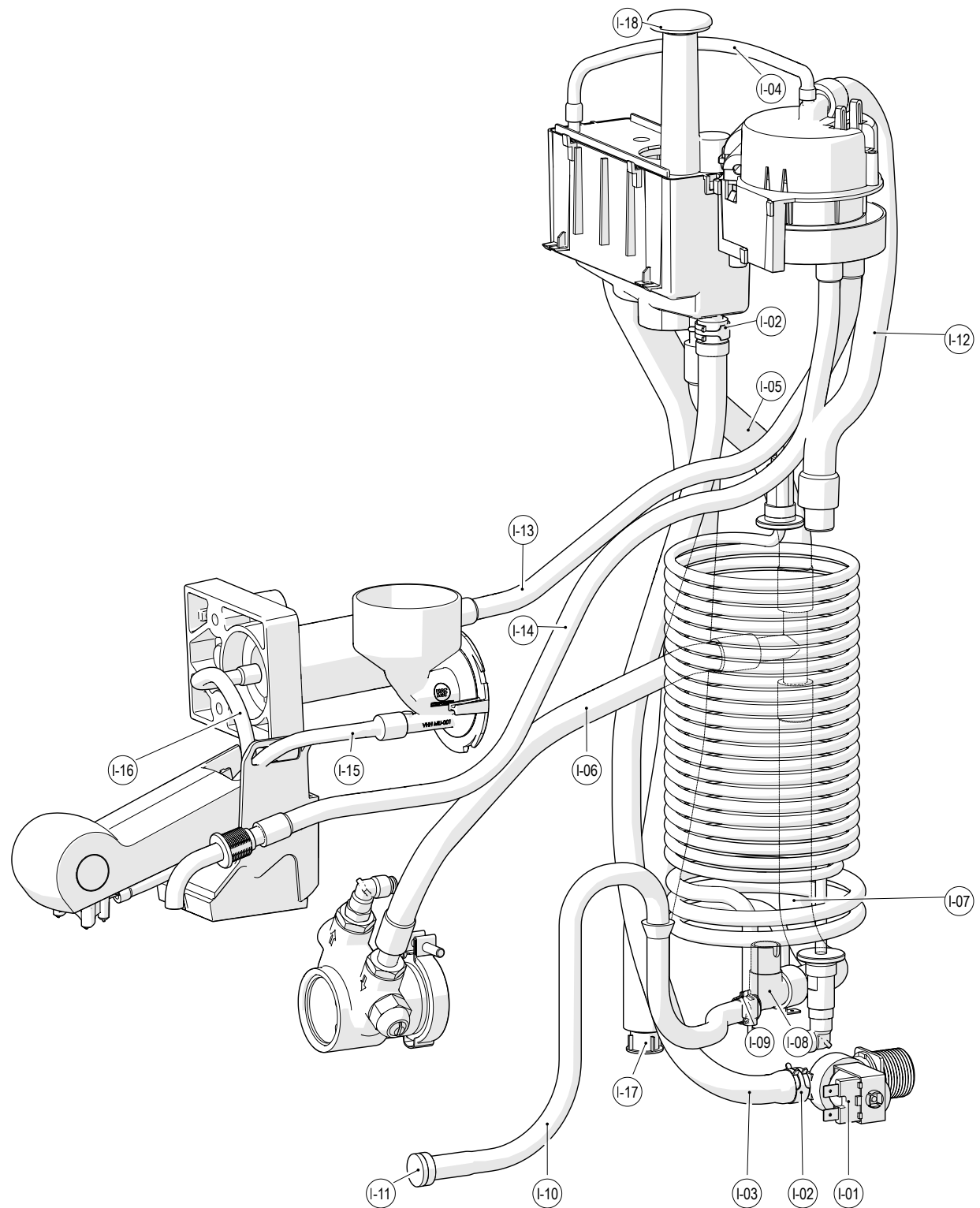
ID	Service parts	Description	S-RS
H2-01	6.013.004.052	Sieve micro filter	RS
H2-02	6.331.079.001	Bar	RS
H2-03	6.331.077.001	Clamp	RS
H2-04	6.331.078.001	Brewer housing	RS
H2-05	6.331.085.100	Brewer heating complete	RS
H2-06	6.331.065.001	Bottom sieve	RS
H2-07	6.011.001.169	O-ring 13x2	S
H2-08	6.011.031.004	Gasket D17xD12x2	DT
H2-09	6.331.072.001	Axe guiding piece	DT
H2-10	6.331.069.001	Nut TR12X2	DT
H2-11	6.331.075.000	Guiding piece (complete)	DT
H2-12	6.013.001.211	Coupling D=4 G=M5	S



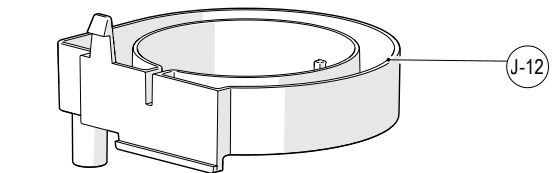
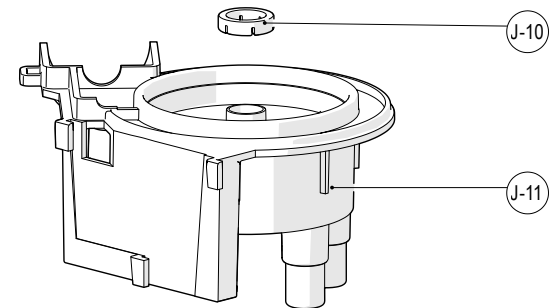
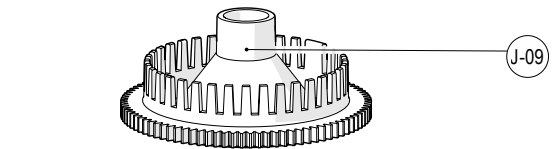
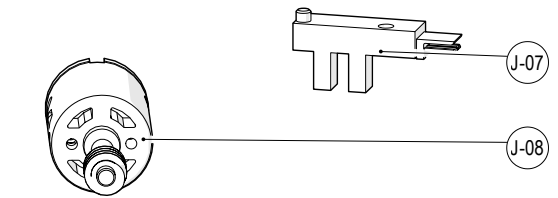
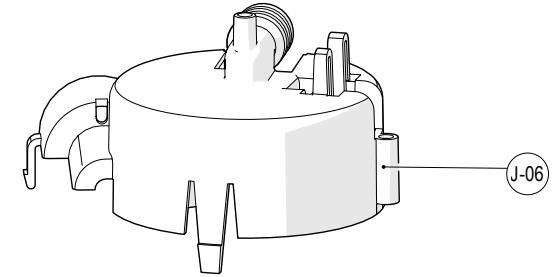
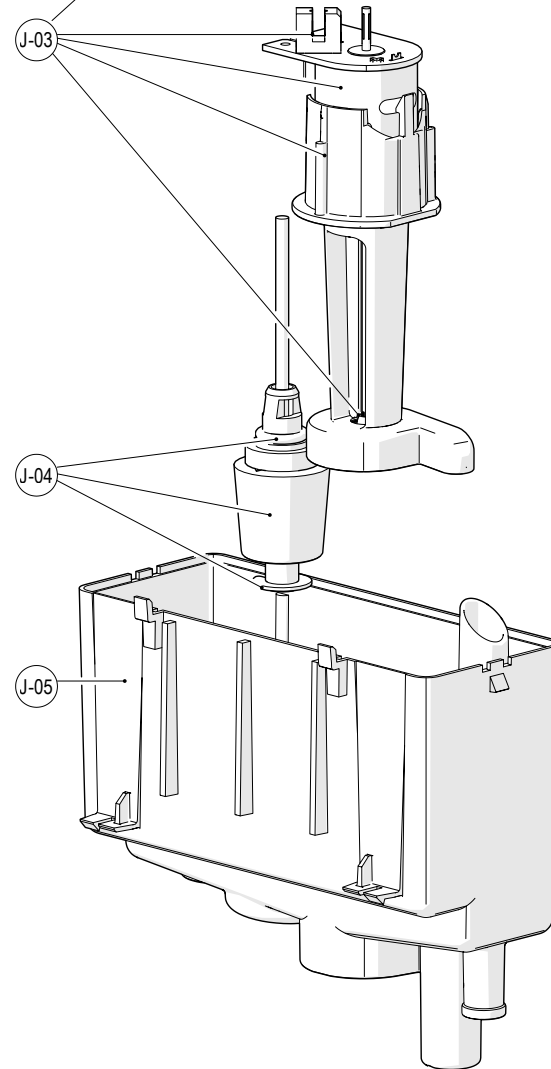
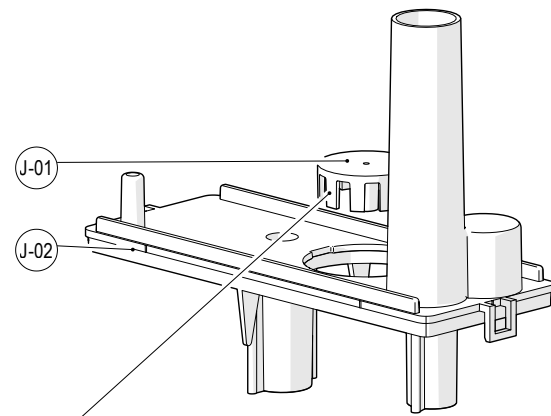
	Service parts	Description	S-RS
H3-01	6.331.066.001	Discharge tube	S
H3-02	6.331.073.001	Frame front	DT
H3-03	6.331.123.001	Nut	DT
H3-04	6.011.001.110	O-ring 6.1x1.6	RS
H3-05	6.331.097.001	Spring washer	DT
H3-06	6.331.070.001	Outlet	RS
H3-07	6.011.001.170	O-ring D32,92x3,53 SIL70	S
H3-08	6.013.004.053	Sieve micro filter (flat)	RS
H3-09	6.331.081.001	Axe	DT
H3-10	6.331.080.000	Axe TR12x2	DT



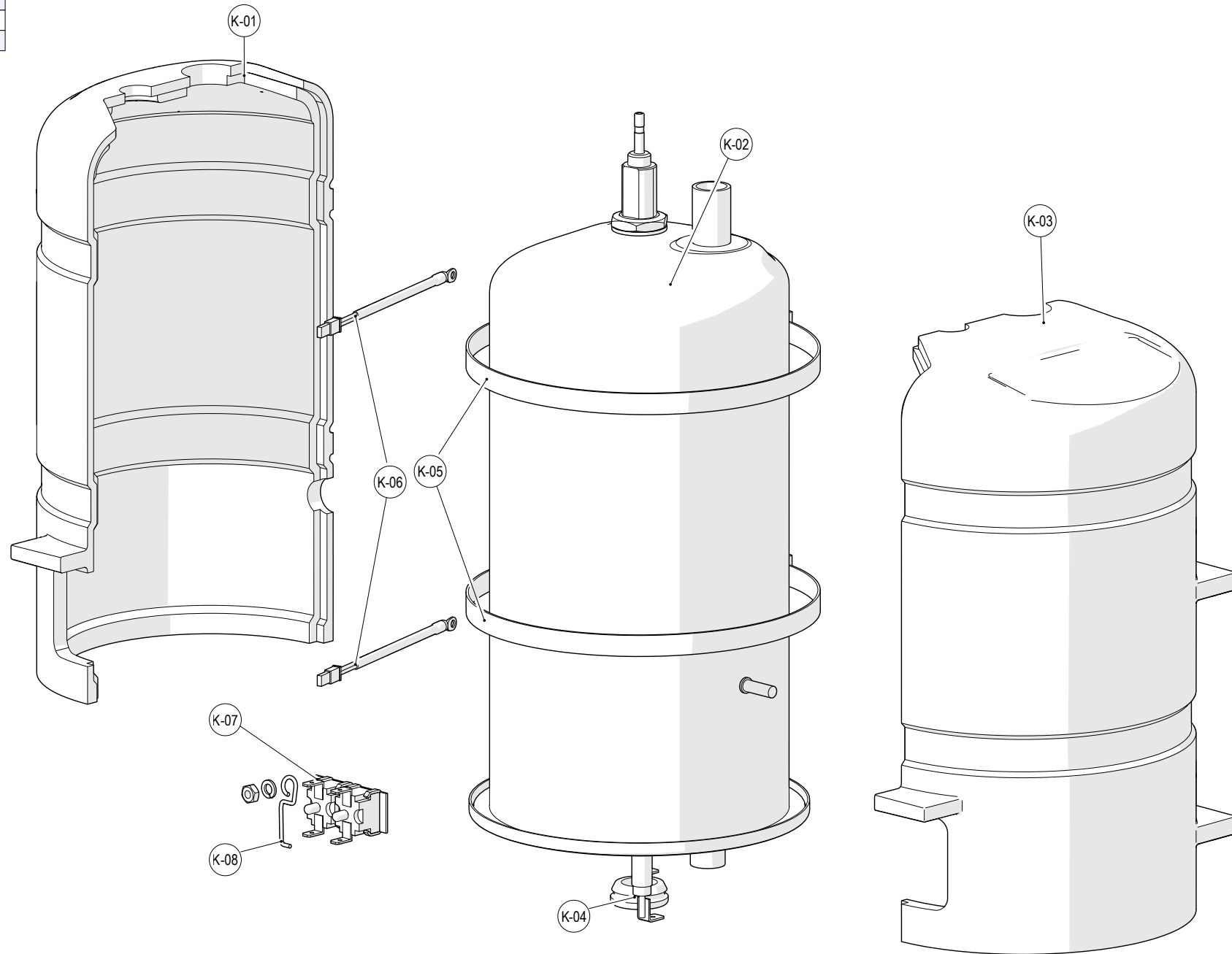
ID	Item number	English	S-RS	mm	inches
I-01	6.016.001.096	Magnetic valve 2 l/min.	RS		
I-02	6.001.079.003	Tube clamp 15.6 mm	S		
I-03	6.019.033.014	Silicone tube 3 x 9.5	S	520	20.47
I-04	6.019.033.009	Silicone tube 4 x 1.5	S	290	11.42
I-05	6.019.033.013	Silicone tube 11,5 x 3.0	S	140	5.51
I-06	6.019.033.013	Silicone tube 11,5 x 3.0	S	360	14.17
I-07	6.019.033.013	Silicone tube 11,5 x 3.0	S	260	10.24
I-08	6.231.132.001	Supply boiler	S		
I-09	6.001.079.001	Tube clamp 12.7 mm	S		
I-10	6.263.081.001	Drain hose	S	500	19.69
I-11	6.006.002.018	Tightening plug 10.5 mm	S		
I-12	6.019.033.013	Silicone tube 11,5 x 3.0	S	295	11.61
I-13	6.019.033.004	Silicone tube 7.5 x 2	S	330	12.99
I-14	6.331.140.001	Hot water tube	S	516	20.31
I-15	6.331.900.001	Silicone tube 5 x 1.5	S	265	10.43
I-16	6.019.033.028	Silicon tube 3.5 x 2.2	S	235	9.25
I-17	6.016.018.023	Sieve	S		
I-18	6.402.010.001	Descaling plug	S		



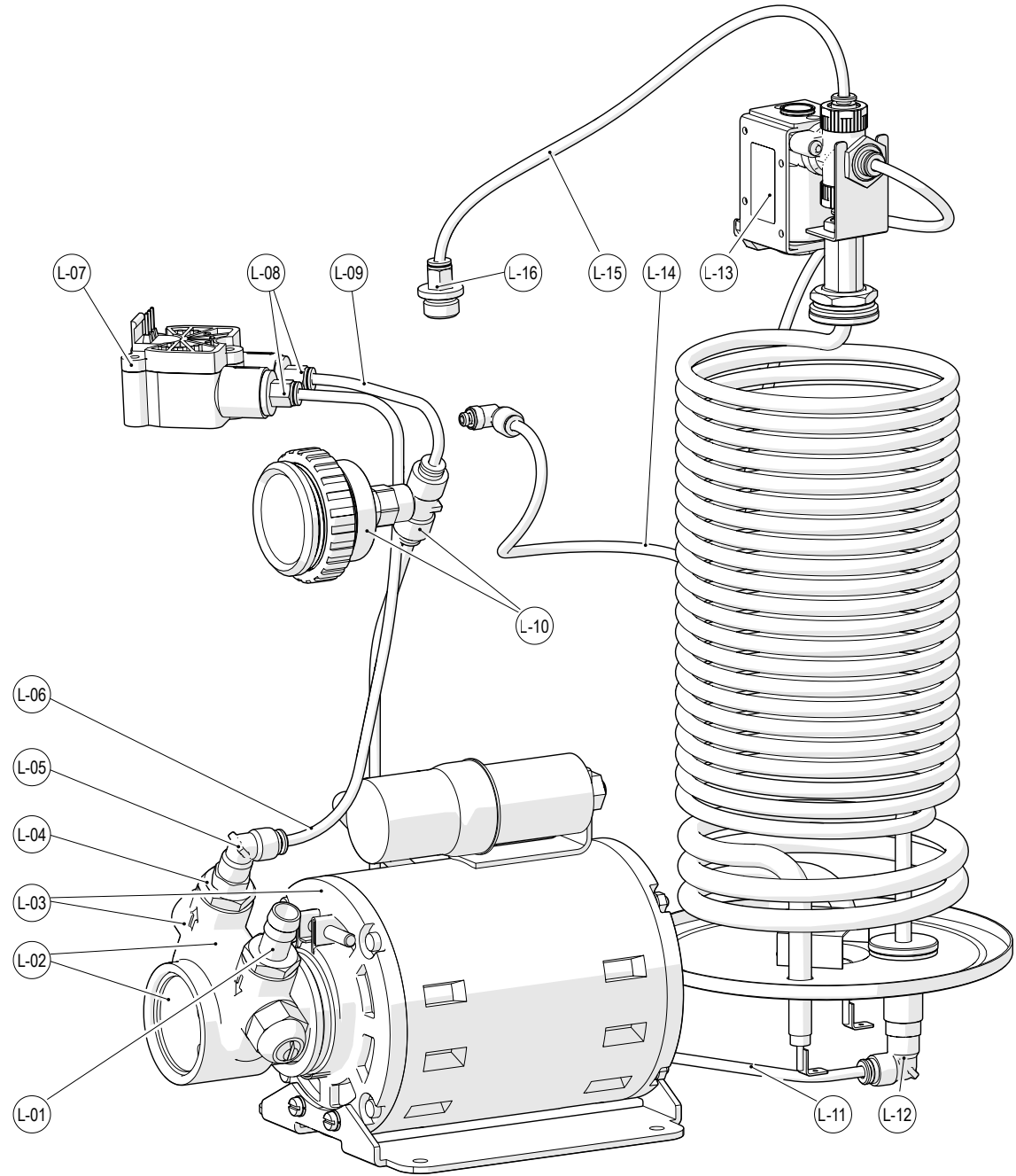
ID	Service parts	Description	S-RS
J-01	6.229.594.001	Positioning wheel	S
J-02	6.229.334.001	Lid pumpfloat tank	S
J-03	6.000.229.198	Pump float tank 4000 rpm	RS
J-04	6.229.891.001	Float	S
J-05	6.229.335.001	Pumpfloat tank	S
J-06	6.231.121.001	Lid water selector	S
J-07	6.004.026.001	Light sensor	RS
J-08	6.000.231.022	Motor water selector (assy)	RS
J-09	6.231.120.001	Water rotation disk	RS
J-10	6.229.761.001	Water sealing ring	S
J-11	6.231.825.001	Outlet waterselector 2	S
J-12	6.231.259.001	Lid water selector	S



ID	Service parts	Description	S-RS
K-01	6.331.124.002	Insulation part 2	DT
K-02	6.000.331.020	Boiler 230V 1850W	RS
K-03	6.331.124.001	Insulation part 1	DT
K-04	6.231.191.001	Ring silicone	S
K-05	6.001.043.056	Tube clamp 25-150 mm/9 mm	S
K-06	6.265.146.000	Temperatue sensor	RS
K-07	6.016.008.084	Thermostat	RS
K-08	6.016.008.078	Bracket	DT



ID	Service parts	Description	S-RS	mm	inches
L-01	6.013.008.066	Tube support 12 mm x R3/8	S		
L-02	6.023.004.038	Pump head	RS		
L-03	6.023.004.031	Pump 220V 120W	RS		
L-04	6.013.008.067	Nipple G3/8 x G1/8	S		
L-05	6.013.001.212	Knee 4 mm x G1/8	S		
L-06	6.019.072.003	Tube PTFE 2.0 x 1.0	S	250	9.84
L-07	6.016.024.012	Water counter	RS		
L-08	6.013.001.216	Coupling 4 x G1/4	S		
L-09	6.019.072.003	Tube PTFE 2.0 x 1.0	S	80	3.15
L-10	6.331.406.000	Gauge + clutch glueed	S		
L-11	6.019.072.003	Tube PTFE 2.0 x 1.0	S	400	15.75
L-12	6.013.001.212	Knee 4 mm x G1/8	S		
L-13	6.016.001.129	Magnetic valve 24V DC NC	RS		
L-14	6.019.072.003	Tube PTFE 2.0 x 1.0	S	680	26.77
L-15	6.019.072.003	Tube PTFE 2.0 x 1.0	S	340	13.39
L-16	6.013.001.216	Coupling 4 x G1/4	S		





ID	Service parts	Description	S-RS	mm	inches
M-01	6.271.037.000	Control interface	RS		
M-02	6.228.020.000	Linking cable	S		
M-03	6.002.001.036	Coupling RJ11-RJ11 6-pole	DT		
M-04	6.331.447.001	Tube guide Esprecious milk	DT		
M-05	6.271.038.000	Milk foamer assy.	S		
M-06	6.033.256.001	Tube 4.0x2.0	S	175	6.89
M-07	6.271.022.001	Lid	S		
M-08	6.271.003.001	Outlet piece milk	S		
M-09	6.011.001.094	O-ring 13x2	RS		
M-10	6.019.033.014	Silicone tube 15.5 x 9.5	S	1000	39.37

