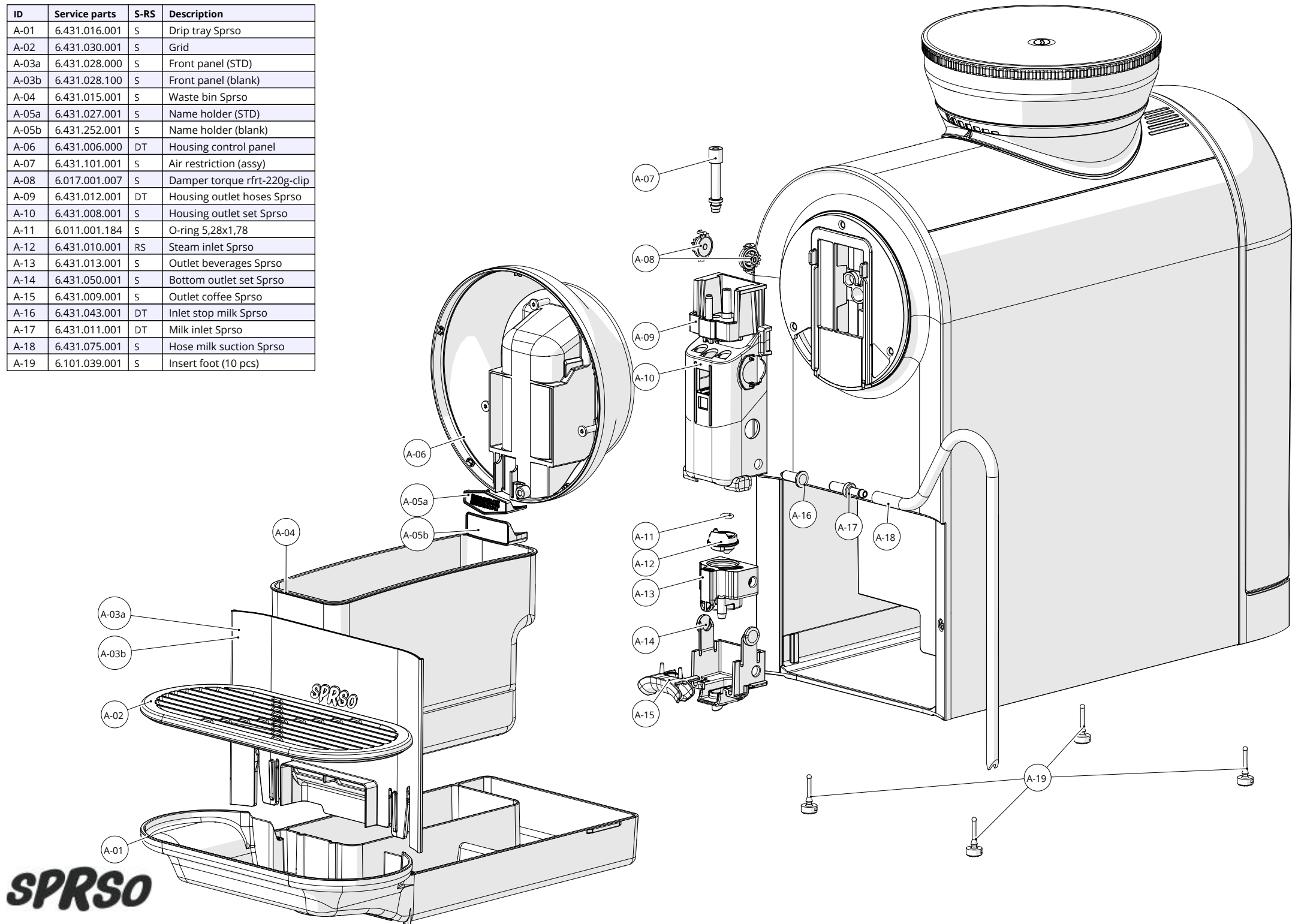
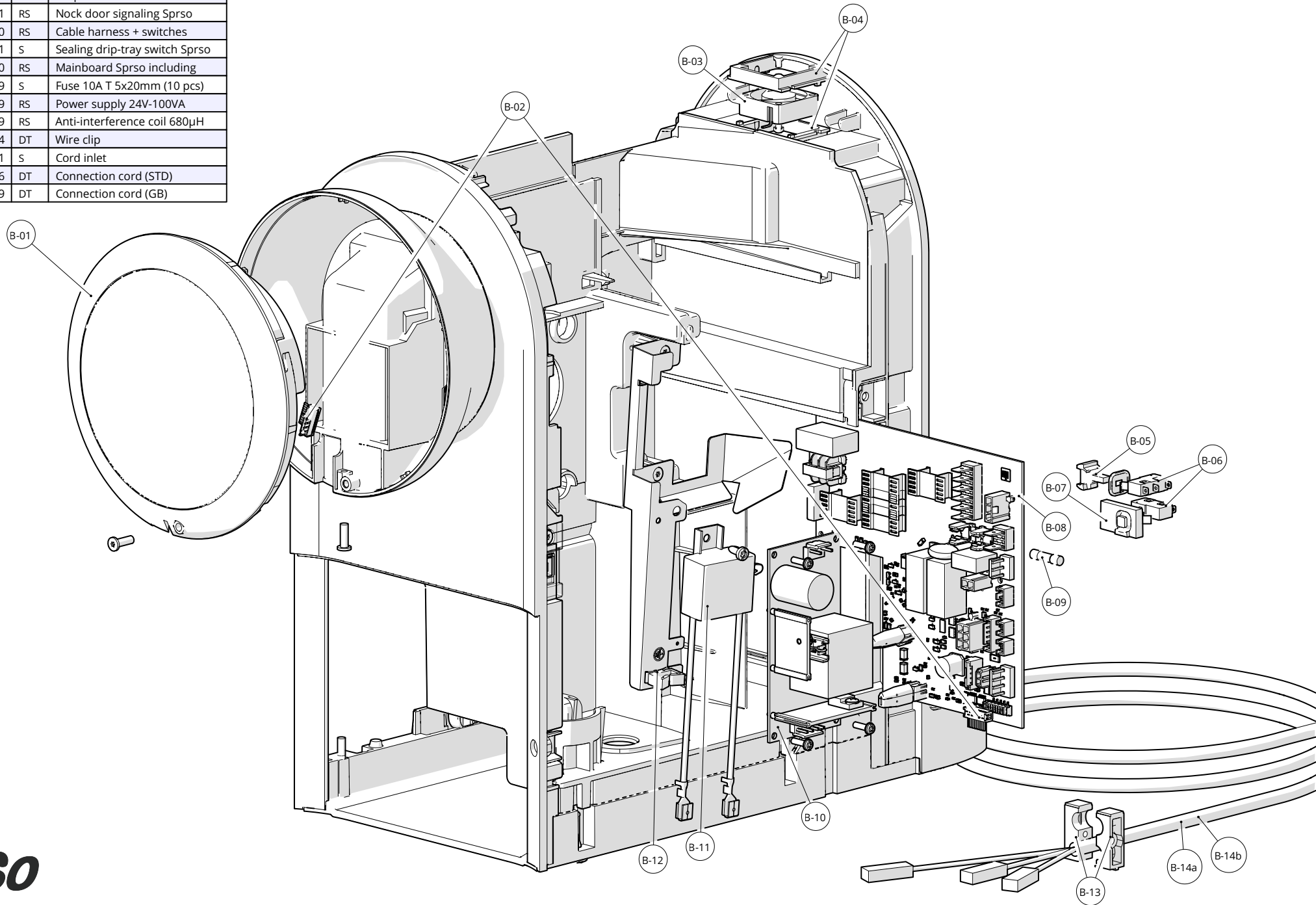


| ID    | Service parts | S-RS | Description                  |
|-------|---------------|------|------------------------------|
| A-01  | 6.431.016.001 | S    | Drip tray Sprso              |
| A-02  | 6.431.030.001 | S    | Grid                         |
| A-03a | 6.431.028.000 | S    | Front panel (STD)            |
| A-03b | 6.431.028.100 | S    | Front panel (blank)          |
| A-04  | 6.431.015.001 | S    | Waste bin Sprso              |
| A-05a | 6.431.027.001 | S    | Name holder (STD)            |
| A-05b | 6.431.252.001 | S    | Name holder (blank)          |
| A-06  | 6.431.006.000 | DT   | Housing control panel        |
| A-07  | 6.431.101.001 | S    | Air restriction (assy)       |
| A-08  | 6.017.001.007 | S    | Damper torque rfrt-220g-clip |
| A-09  | 6.431.012.001 | DT   | Housing outlet hoses Sprso   |
| A-10  | 6.431.008.001 | S    | Housing outlet set Sprso     |
| A-11  | 6.011.001.184 | S    | O-ring 5,28x1,78             |
| A-12  | 6.431.010.001 | RS   | Steam inlet Sprso            |
| A-13  | 6.431.013.001 | S    | Outlet beverages Sprso       |
| A-14  | 6.431.050.001 | S    | Bottom outlet set Sprso      |
| A-15  | 6.431.009.001 | S    | Outlet coffee Sprso          |
| A-16  | 6.431.043.001 | DT   | Inlet stop milk Sprso        |
| A-17  | 6.431.011.001 | DT   | Milk inlet Sprso             |
| A-18  | 6.431.075.001 | S    | Hose milk suction Sprso      |
| A-19  | 6.101.039.001 | S    | Insert foot (10 pcs)         |



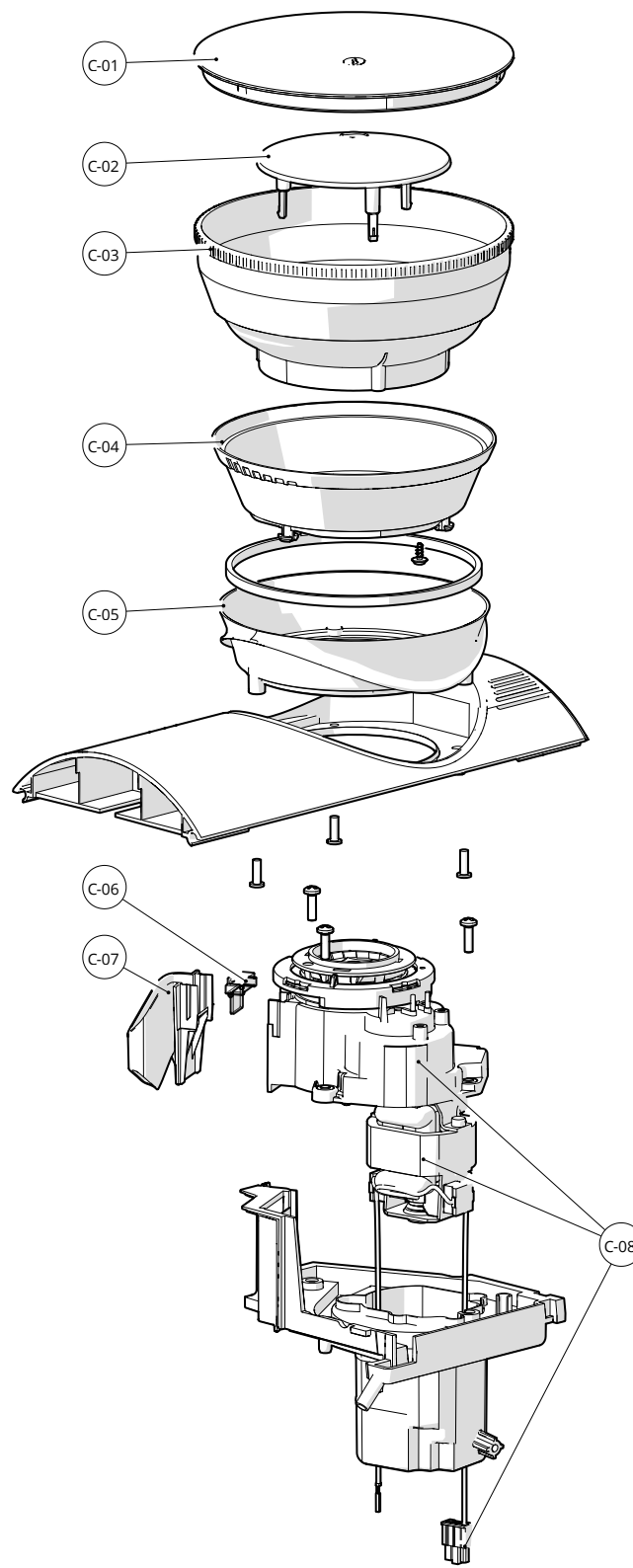
**SPRSO**

| ID    | Service parts | S-RS | Description                    |
|-------|---------------|------|--------------------------------|
| B-01  | 6.431.007.000 | RS   | Controle panel (assy)          |
| B-02  | 6.431.080.000 | S    | Flat cable                     |
| B-03  | 6.017.006.008 | RS   | Fan                            |
| B-04  | 6.431.097.001 | S    | Suspension fan                 |
| B-05  | 6.431.095.001 | RS   | Nock door signaling Sprso      |
| B-06  | 6.431.110.000 | RS   | Cable harness + switches       |
| B-07  | 6.431.116.001 | S    | Sealing drip-tray switch Sprso |
| B-08  | 6.431.078.000 | RS   | Mainboard Sprso including      |
| B-09  | 6.005.011.039 | S    | Fuse 10A T 5x20mm (10 pcs)     |
| B-10  | 6.004.011.109 | RS   | Power supply 24V-100VA         |
| B-11  | 6.004.012.009 | RS   | Anti-interference coil 680μH   |
| B-12  | 6.006.010.084 | DT   | Wire clip                      |
| B-13  | 6.329.253.001 | S    | Cord inlet                     |
| B-14a | 6.003.012.176 | DT   | Connection cord (STD)          |
| B-14b | 6.003.012.039 | DT   | Connection cord (GB)           |



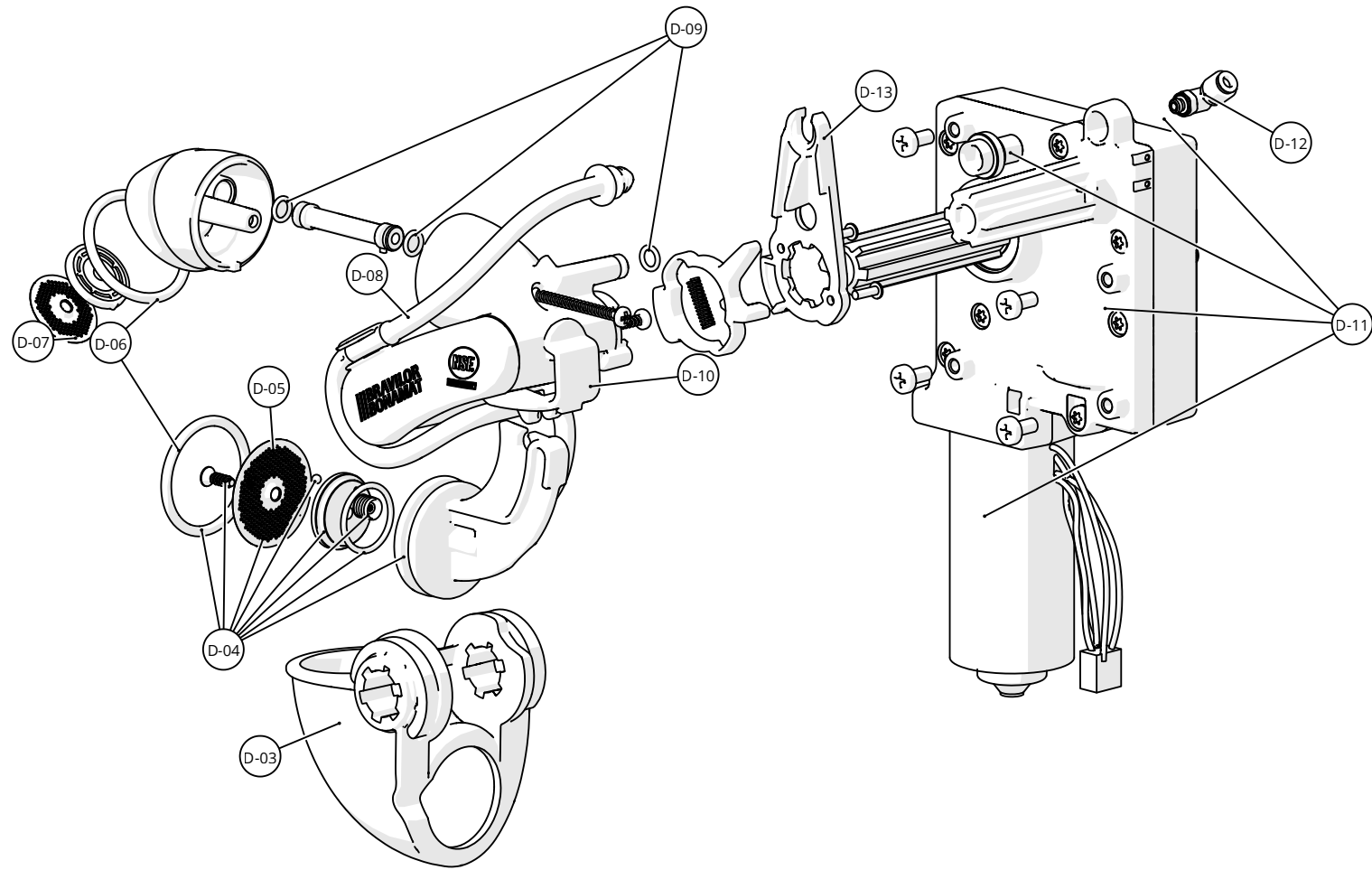
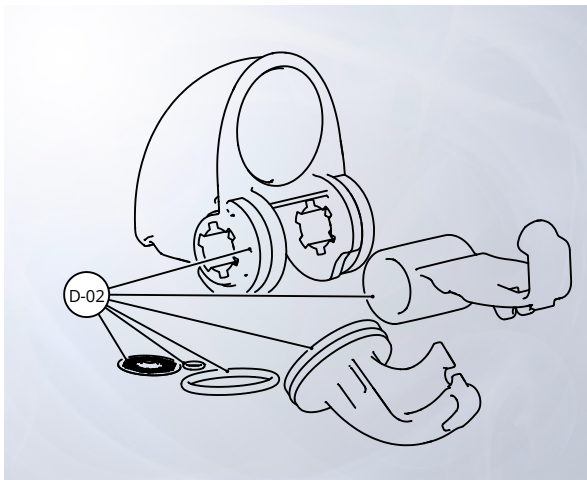
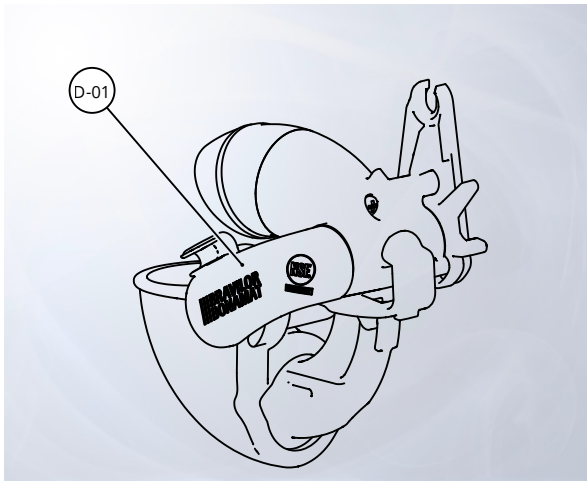
**SPRSO**

| ID   | Service parts | S-RS | Description                 |
|------|---------------|------|-----------------------------|
| C-01 | 6.431.017.001 | S    | Lid bean canister Sprso     |
| C-02 | 6.431.018.001 | DT   | Divider bean canister Sprso |
| C-03 | 6.431.019.001 | S    | Bean canister Sprso         |
| C-04 | 6.431.020.001 | DT   | Ring bean canister Sprso    |
| C-05 | 6.431.082.000 | DT   | Neck bean canister Sprso    |
| C-06 | 6.431.120.001 | DT   | Flapper outlet grinder      |
| C-07 | 6.431.021.001 | S    | Outlet grinder Sprso        |
| C-08 | 6.030.079.111 | RS   | Grinder 230V single         |

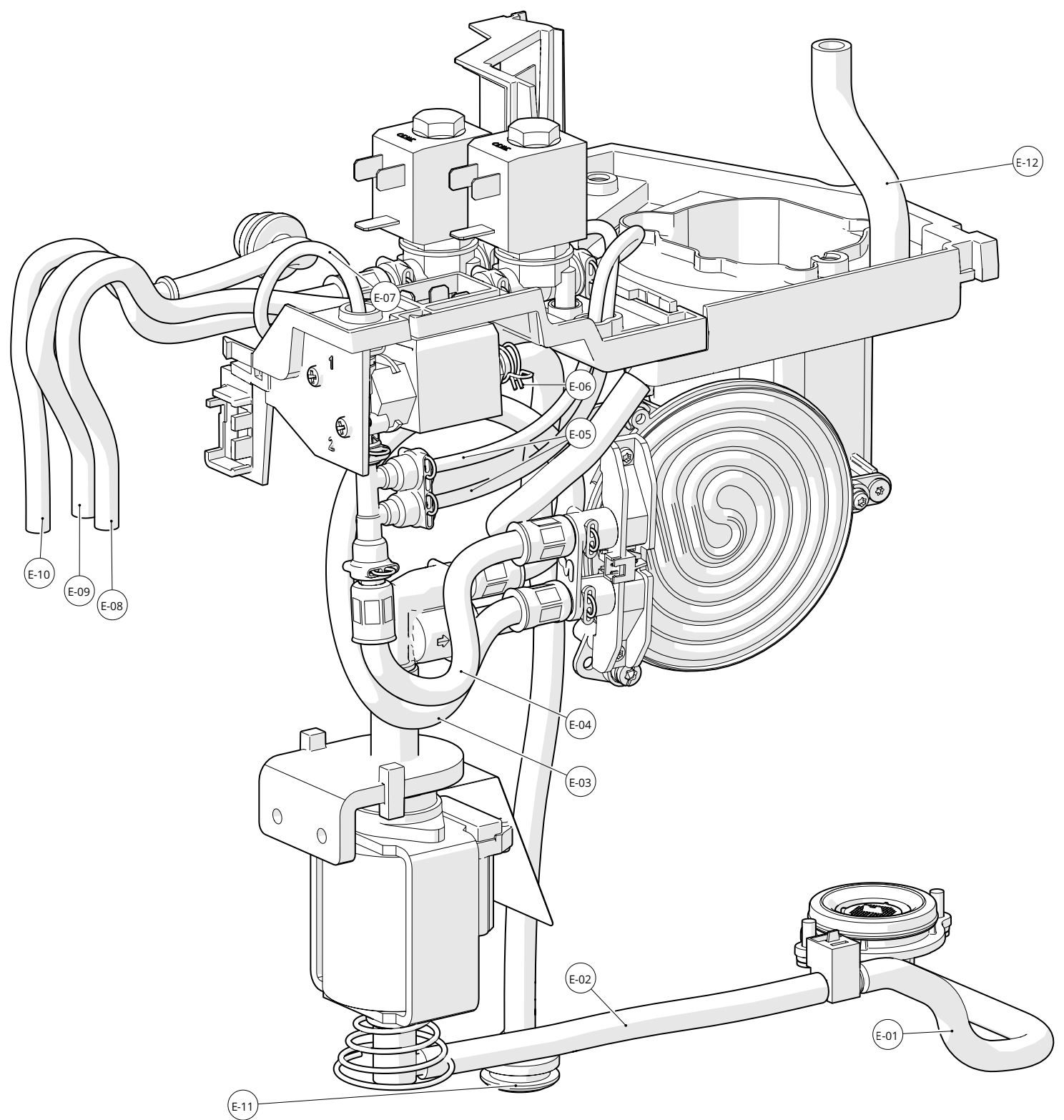


**SPRSO**

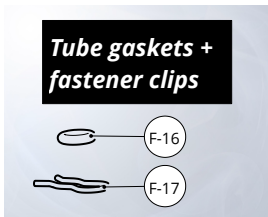
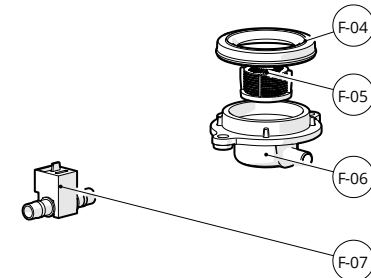
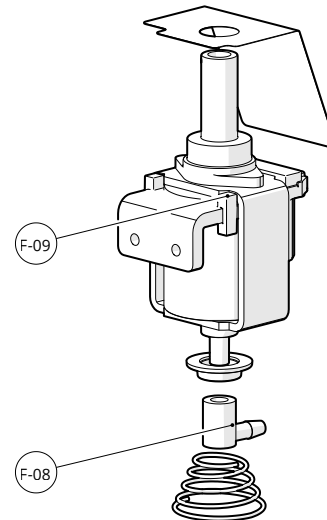
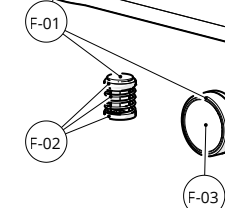
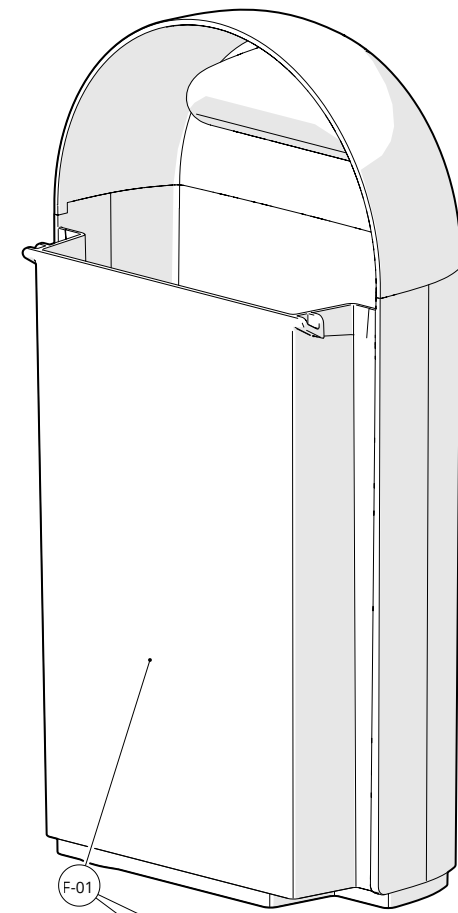
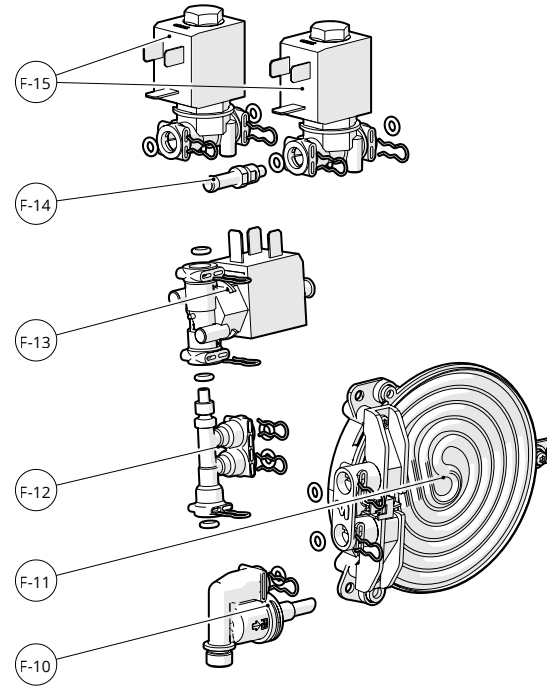
| ID   | Service parts | S-RS | Description                  |
|------|---------------|------|------------------------------|
| D-01 | 6.000.431.007 | S    | CIRCO-Brewer (assy)          |
| D-02 | 6.000.331.083 | S    | Cylinder+piston CIRCO-Brewer |
| D-03 | 6.000.331.079 | S    | Cylinder                     |
| D-04 | 6.000.331.078 | S    | Piston CIRCO-brewer (assy)   |
| D-05 | 6.013.004.053 | RS   | Sieve micro filter (flat)    |
| D-06 | 6.011.001.170 | S    | O-ring d 32,92 x 3,53 sil 70 |
| D-07 | 6.013.004.054 | RS   | Sieve micro filter ø25 flat  |
| D-08 | 6.431.072.001 | S    | Hose brewer                  |
| D-09 | 6.011.001.152 | S    | O-ring 6,02x1,63             |
| D-10 | 6.331.423.001 | S    | Mounting bracket plunger     |
| D-11 | 6.000.431.006 | RS   | Motor rotationbrewer Sprso   |
| D-12 | 6.013.001.211 | S    | Coupling ø4 M5               |
| D-13 | 6.431.025.001 | S    | Quick release                |



| ID   | Service parts | S-RS | Description              | mm  |
|------|---------------|------|--------------------------|-----|
| E-01 | 6.019.033.025 | S    | Silicone tube 5x2        | 185 |
| E-02 | 6.019.033.025 | S    | Silicone tube 5x2        | 140 |
| E-03 | 6.431.113.000 | S    | Reinforced hose (assy)   | 300 |
| E-04 | 6.431.115.000 | S    | Reinforced hose (assy)   | 120 |
| E-05 | 6.431.070.000 | S    | Tube 2.0x1.0 (assy)      | 200 |
| E-06 | 6.001.079.014 | S    | Hose clamp 9,6mm         |     |
| E-07 | 6.431.068.000 | S    | Tube 2.0x1.0 (assy)      | 110 |
| E-08 | 6.019.033.009 | S    | Silicone tube 4x1.5      | 210 |
| E-09 | 6.431.114.000 | S    | Reinforced hose (assy)   | 210 |
| E-10 | 6.431.073.001 | S    | Hose coffee outlet Sprso |     |
| E-11 | 6.431.063.001 | S    | Overflow hose Sprso      |     |
| E-12 | 6.019.033.004 | S    | Silicone tube 7.5x2      | 80  |



| ID   | Service parts | S-RS | Description  |
|------|---------------|------|--|
| F-01 | 6.000.431.018 | S    | Water tank Sprso fabricated  |
| F-02 | 6.431.052.001 | S    | Outlet stop water tank Sprso                                       |
| F-03 | 6.431.047.000 | RS   | Float Sprso  |
| F-04 | 6.431.054.001 | S    | Sealing ring water inlet Sprso                                     |
| F-05 | 6.016.018.023 | S    | Sieve  |
| F-06 | 6.431.026.001 | S    | Water inlet Sprso  |
| F-07 | 6.016.024.016 | RS   | Flow sensor $\varnothing 1,1\text{mm}$ 2x 6,9mm                    |
| F-08 | 6.013.001.244 | S    | L-piece $\varnothing 7,5 \times \varnothing 6$ (internal)          |
| F-09 | 6.023.004.048 | RS   | Pump 230V-50Hz 53W   |
| F-10 | 6.013.005.023 | RS   | Safety valve overpressure  |
| F-11 | 6.431.056.000 | RS   | Element 230V 1850W (assy)  |
| F-12 | 6.431.032.001 | S    | Manifold 3-way fast connection                                     |
| F-13 | 6.016.001.137 | RS   | Water valve 3/2 24V DC NC  |
| F-14 | 6.431.065.001 | S    | Hose coupling $\varnothing 4 \times \varnothing 4$ fast connection |
| F-15 | 6.016.001.136 | RS   | Water valve 2/2 24V DC NC (1 pcs)                                  |
| F-16 | 6.011.001.185 | S    | O-ring 3,68x1,78   |
| F-17 | 6.431.077.001 | S    | Locking clip hose $\varnothing 4$                                  |



**Note: F-06**  
For machines with a lower serial number as of **020002238255** the service set **6.000.431.029** must be ordered



For more information  
click or scan the QR-code