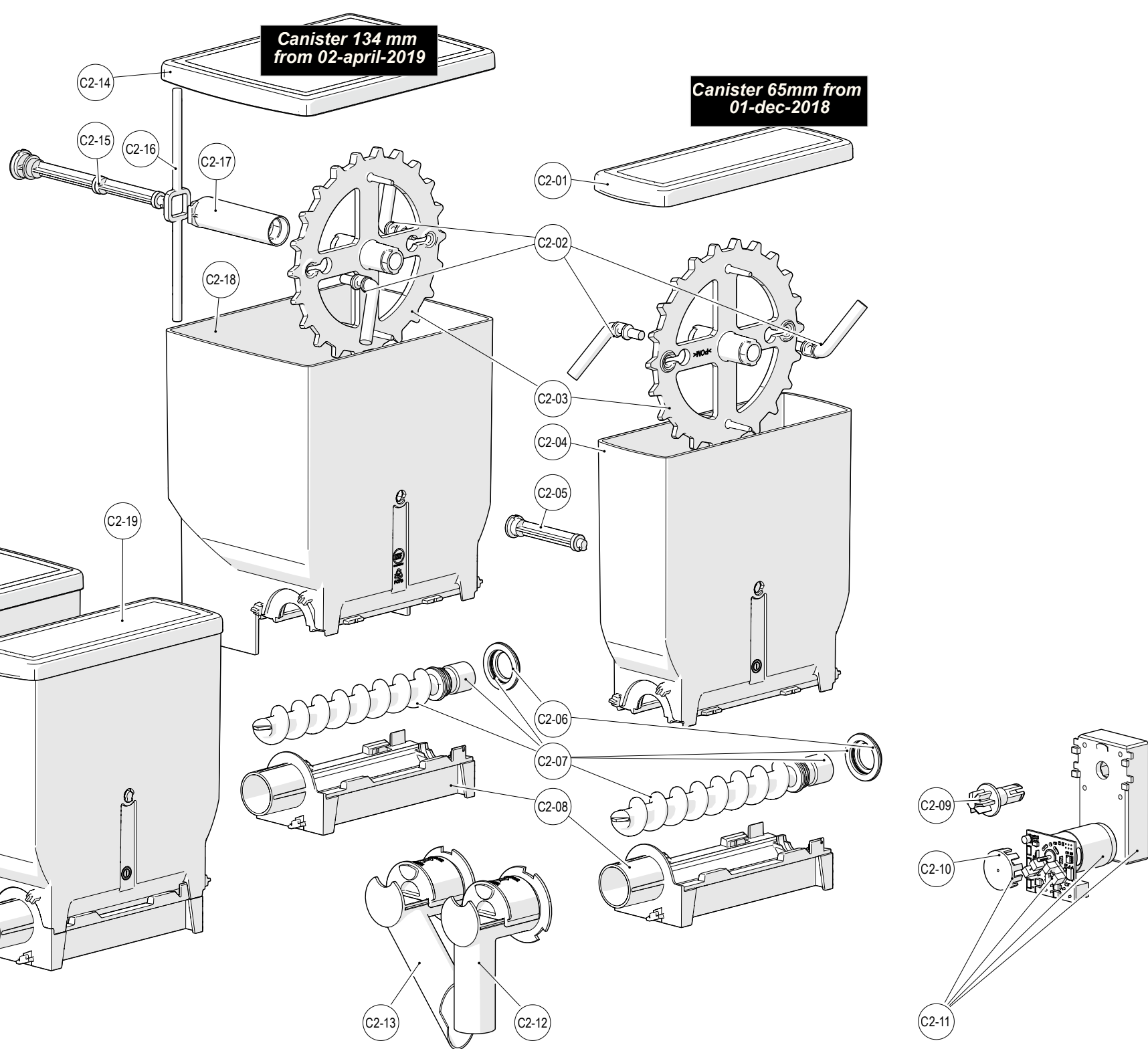
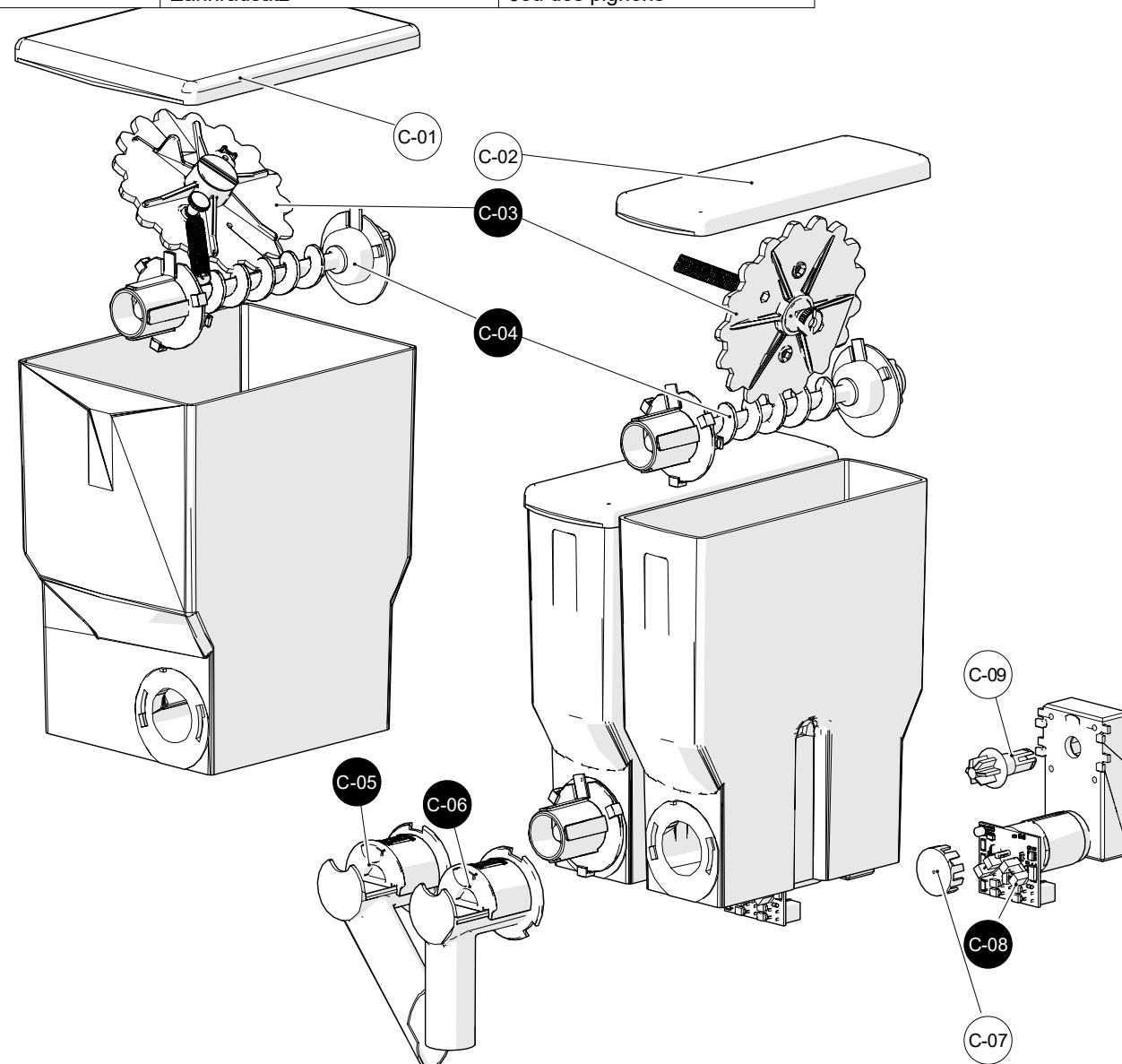
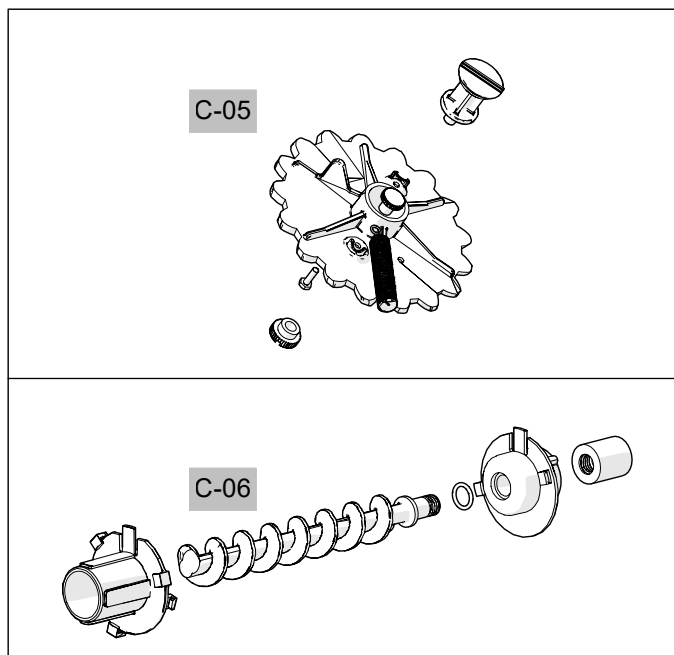


ID	Service parts	Description	S-RS
C2-01	6.329.480.000	Lid 65mm	S
C2-02	6.329.478.001	Wiper	S
C2-03	6.329.477.001	Drive shaft	S
C2-04	6.329.476.001	Canister casing	S
C2-05	6.329.486.001	Axle	S
C2-06	6.329.479.001	Seal	S
C2-07	6.000.229.219	Worm (assy)	S
C2-08	6.329.474.001	Canister bottom	S
C2-09	6.030.074.006	Drive shaft	S
C2-10	6.229.594.001	Positioning wheel	S
C2-11	6.030.070.037	Canister motor	RS
C2-12	6.229.931.000	Outlet canister central	S
C2-13	6.229.932.000	Outlet canister left	S
C2-14	6.229.274.001	Lid 134mm	S
C2-15	6.329.502.001	Axle	S
C2-16	6.329.503.001	Wiper	S
C2-17	6.329.543.001	Adapter piece wiper	S
C2-18	6.329.500.001	Canister casing	S
C2-19	6.000.229.183	Canister 65 mm (assy)	S
C2-20	6.000.229.197	Canister 134 mm (assy)	S

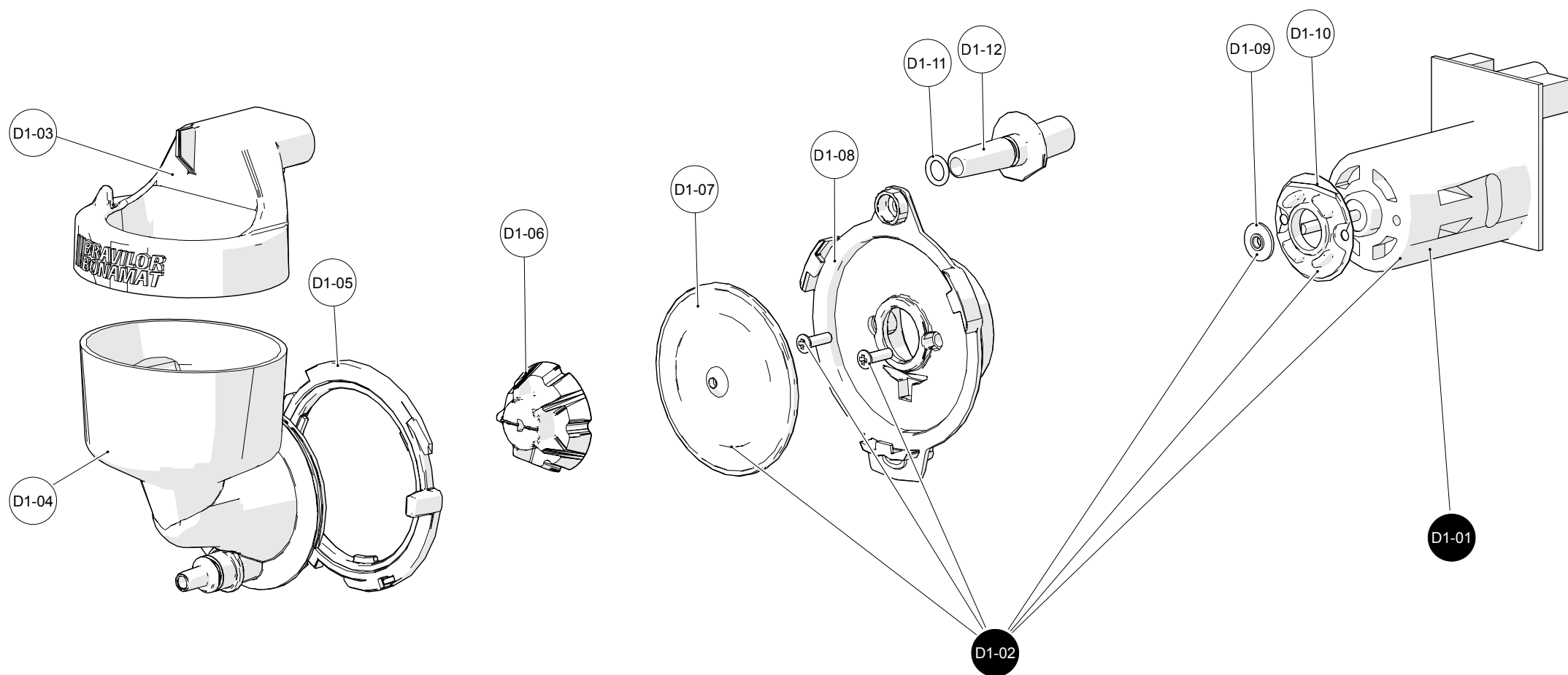


BOM ID	Description	S-RS	English	Nederlands	Deutsch	Français
C-01	6.229.274.001	S	Lid 134mm	Deksel 134mm	Deckel134mm	Couvercle 134mm
C-02	6.229.273.001	S	Lid 65mm	Deksel 65mm	Deckel 65mm	Couvercle 65mm
C-03	6.000.229.102	S	Drive shaft assy	Tandwielset	Zahnradatz	Jeu des pignons
C-04	6.000.229.122	S	Set of canister spare parts	Set canisteronderdelen	Set Produktbehälterteilen	Jeu de pièces pour bac produit
C-05	6.229.932.000	S	Outlet canister compl left	Canisteruitloop compl links	Produktbehälterauslauf links	Sortie bac produit à gauche
C-06	6.229.931.000	S	Outlet canister compl (centr)	Canisteruitloop compl (centr)	Produktbehälterauslauf (zentr)	Sortie bac produit centrale
C-07	6.229.594.001	S	Positioning wheel	Positioneringsschijf	Positonierungscheibe	Roue de positionnement
C-09	6.030.070.037	S	Canister motor	Canistermotor	Motor Produktbehälter	Moteur bac produit
C-10	6.030.074.006	S	Drive shaft	Tandwiel	Zahnradatz	Jeu des pignons



STD

BOM ID	Description	S-RS	English	Nederlands	Deutsch	Français
D1-01	6.331.139.000	RS	Mixer motor incl. print	Mixermotor incl. print	Mischermotor incl. Leiterplatte	Moteur mélangeur incl. circ.im
D1-02	6.000.229.173	RS	Mixer motor complete	Mixermotor compleet	Mischerrmotor komplett	Moteur mélangeur complet
D1-03	6.229.410.001	S	Condense reservoir	Stoomafvanghuis	Kondenzkasten	Pot d'échappement vapeur
D1-04	6.331.129.001	S	Mixunit	Mixbeker	Mischbecher	Gobelet mélangeur
D1-05	6.229.407.001	S	Fastening ring	Bevestigingsring	Befestigungsring	Bagué de fixation
D1-06	6.229.595.001	S	Whipper disk	Mixer	Mischer	Mélangeur
D1-07	6.229.488.001	RS	Gasket mixing chamber	Afdichting mengbeker	Dichtung Mischbecher	Joint gobelet mélangeur
D1-08	6.229.405.001	S	Motorholder	Motorhouder	Motorhalter	Porte-moteur
D1-09	6.229.396.001	S	Ring mixermotor	Ring mixermotor	Ring Mischermotor	Anneau moteur mélangeur
D1-10	6.229.943.001	S	Seal mixer motor	Afdichting mixermotor	Dichtung Mischermotor	Joint moteur mélangeur
D1-11	6.011.001.073	S	O-ring 6x1.5	O-ring 6x1,5	O-Ring 6x1,5	Rondelle 6x1.5
D1-12	6.229.580.001	S	Water inlet 6mm	Waterinlaat 6mm	Wassereinfuhr 6mm	Admission eau 6mm



BB

BOM ID	Description	S-RS	English	Nederlands	Deutsch	Français
D2-01	6.331.237.000	RS	Mixer motor incl. print	Mixermotor incl. print	Mischermotor incl. Leiterplatte	Moteur mélangeur incl. circ.im
D2-02	6.000.229.238	RS	Mixer motor complete	Mixer motor compleet	Mischermotor komplett	Moteur mélangeur complet
D2-03	6.229.808.001	S	Condense reservoir	Stoomafvanghuis	Kondenzkasten	Pot d'échappement vapeur
D2-04	6.229.805.001	S	Mixing chamber	Mengbeker	Mischbecher	Gobelet mélangeur
D2-05	6.229.809.001	S	Fastening ring	Bevestigingsring	Bagué de fixation	Befestigungsring
D2-06	6.229.803.001	S	Whipper disk	Mixer	Mischer	Mélangeur
D2-07	6.229.806.001	S	Rubber seal mixer	Afdichting mixer	Dichtung Mischer	Joint mélangeur
D2-08	6.030.071.020	S	Rubber seal mixer	Afdichting mixer	Dichtung Mischer	Joint mélangeur
D2-09	6.229.807.001	S	Holder rubber seal	Houder afdichting	Halter Dichtung	Joint support
D2-10	6.229.810.001	S	Plate mixer moter	Mixermotorplaat	Mischermotorplatte	Plaque du moteur mélangeur
D2-11	6.011.001.094	S	O-ring 13x2	O-ring 13x2	O-Ring 13x2	Rondelle 13x2
D2-12	6.011.001.073	S	O-ring 6x1.5	O-ring 6x1,5	O-Ring 6x1,5	Rondelle 6x1.5
D2-13	6.229.580.001	S	Water inlet 6mm	Waterinlaat 6mm	Wassereinfuhr 6mm	Admission eau 6mm

