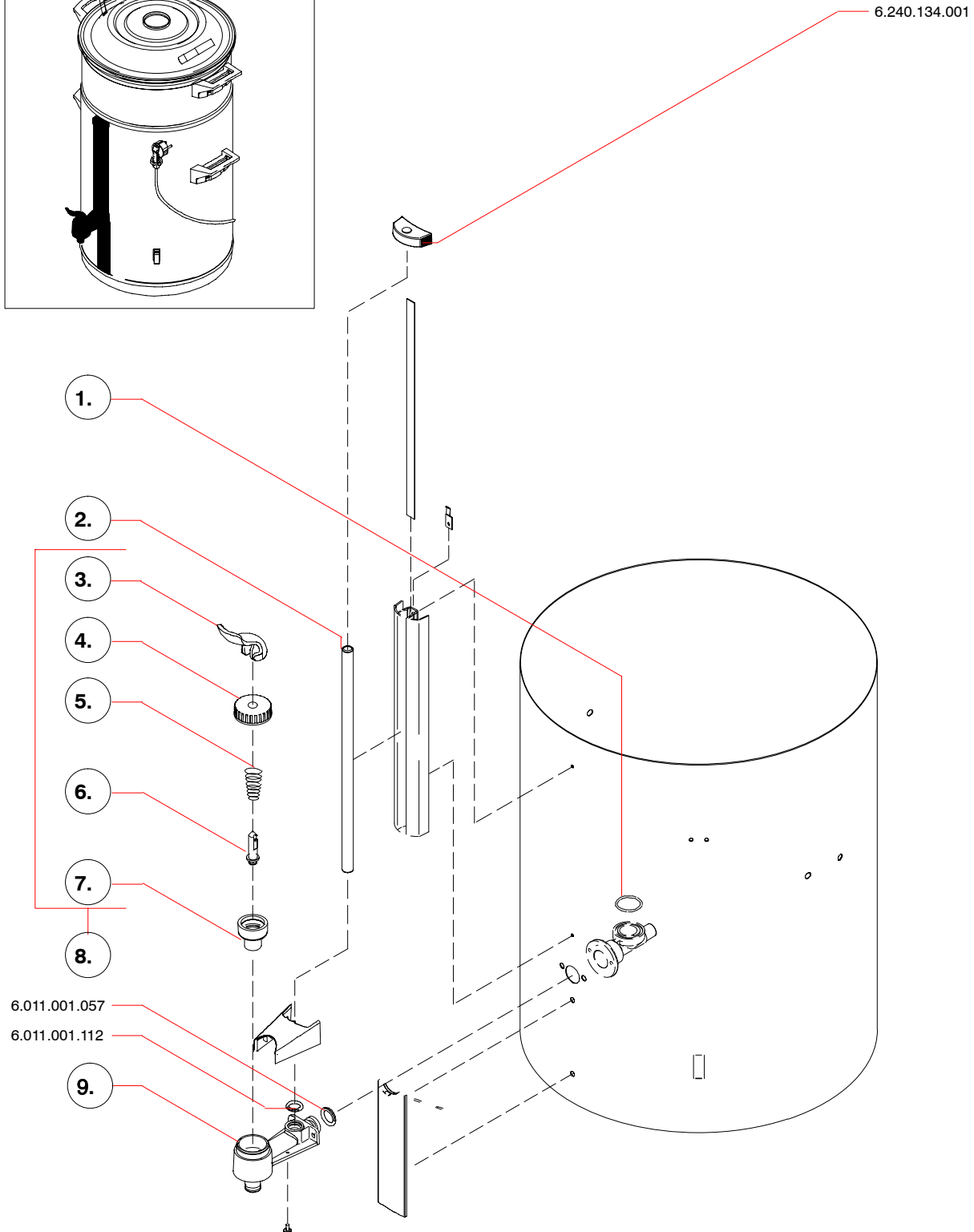
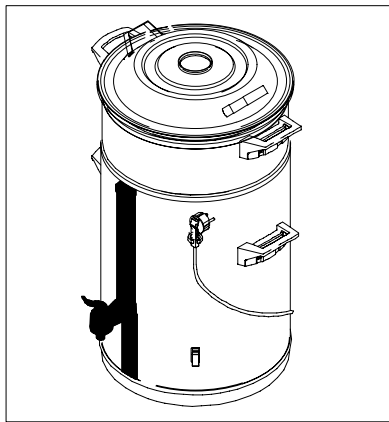


V(H)G (T/D) / NAK (2000 -->)



		VHG 5	VHG 10	VHG 20	VHG 40
1.	STD	6.011.001.085	6.011.001.055	6.011.001.055	6.011.001.055
2.	STD	6.240.124.001	6.242.193.001	6.243.232.001	6.248.132.001
3.	STD	6.214.056.001	6.242.191.001	6.242.191.001	6.242.191.001
4.	STD	6.214.058.001	6.242.183.001	6.242.183.001	6.242.183.001
5.	STD	6.015.001.215	6.015.001.027	6.015.001.027	6.015.001.027
6.	STD	6.015.001.214	6.015.001.281	6.015.001.281	6.015.001.281
7.	STD	6.015.001.213	6.015.001.006	6.015.001.006	6.015.001.006
8.	STD	6.015.001.365	6.015.001.366	6.015.001.366	6.015.001.366
9.	STD	6.214.057.001	6.242.181.001	6.242.181.001	6.242.181.001