

**Acrel meter DTSD 1352 (ADL3000)  
For Goodwe inverters**



**We, the Smart Energy Innovator**

---

08.07.2022

GoodWe Europe GmbH



**1**

# **Connection of Delta Grid on Acrel meter**

# Size of Acrel Meter

Note: The torque of direct connect should not be greater than  $4.0\text{N}\cdot\text{m}$ , and the torque of connect via CT should not be greater than  $2.0\text{N}\cdot\text{m}$ .

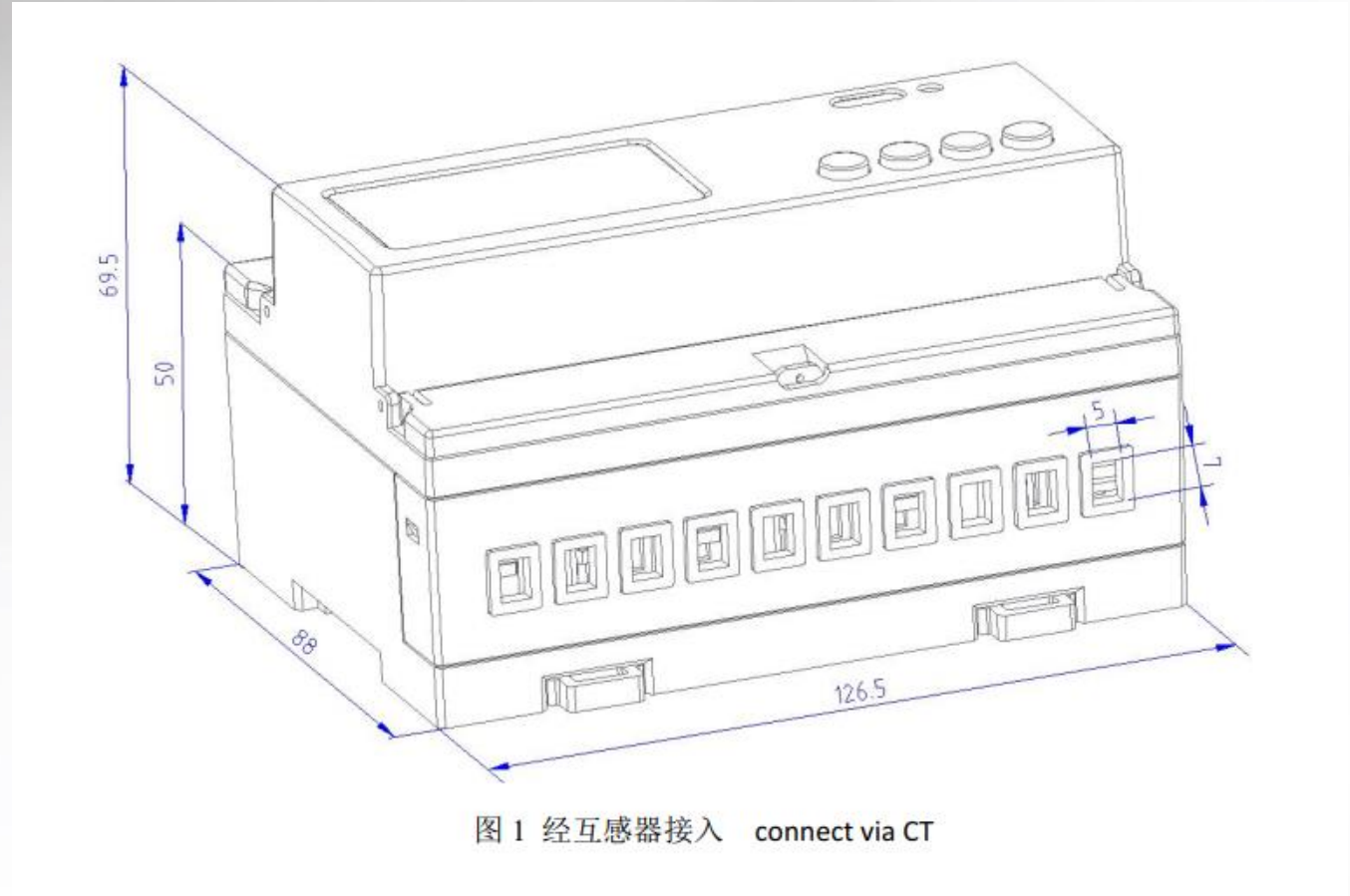


图 1 经互感器接入 connect via CT

Please make sure that the meter supports GoodWe Protocol.

# Size of Acrel Meter

Note: The torque of direct connect should not be greater than  $4.0\text{N}\cdot\text{m}$ , and the torque of connect via CT should not be greater than  $2.0\text{N}\cdot\text{m}$ .

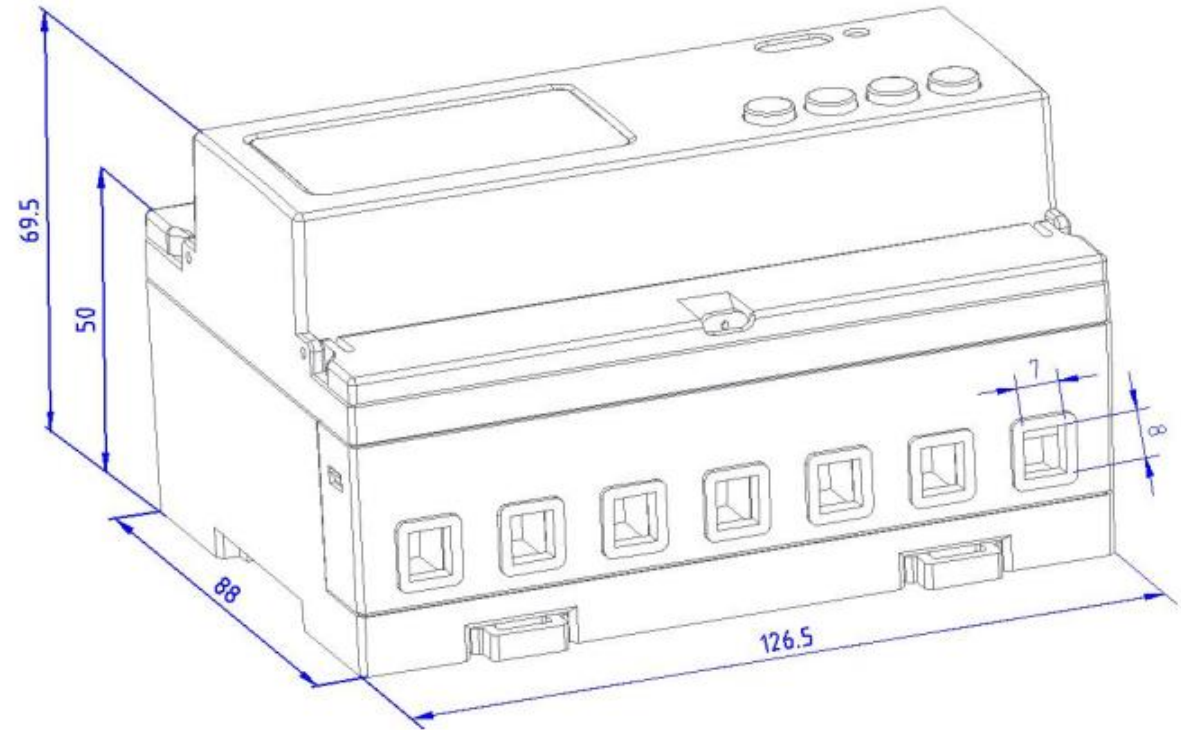


图2 直接接入 direct connect

Please make sure that the meter supports GoodWe Protocol.

# Connection of Delta Grid on Acrel meter

## Acrel meter without CT

L1' to Grid , L1 to Load  
L2' to Grid , L2 to Load  
L3' to Grid , L3 to Load  
L2 connect to Load and N

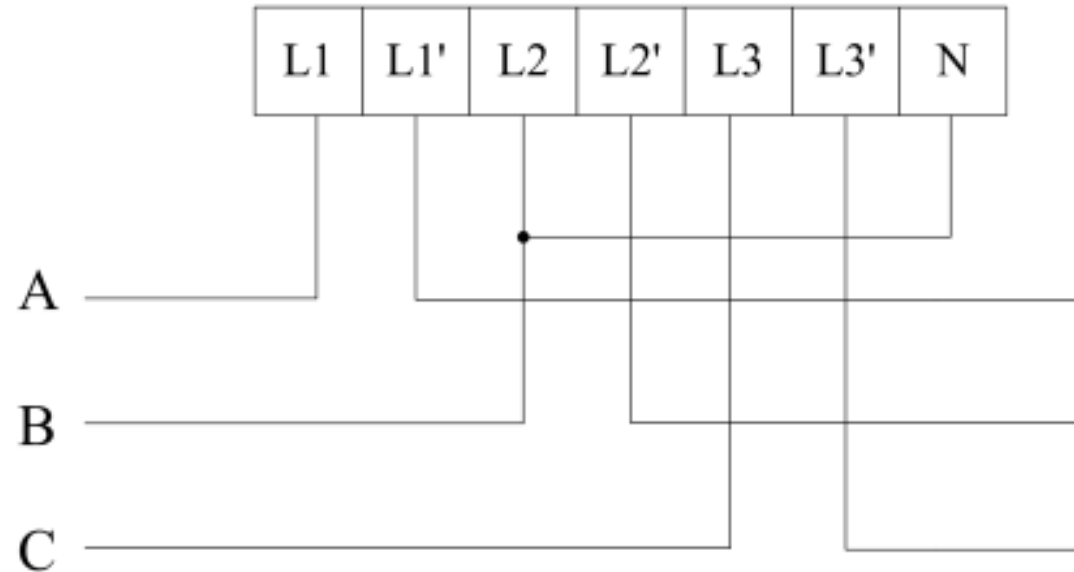


图 5 三相三线直接接入

Fig 5 Three phase three lines direct connect

Pay attention to the position of the Acrel meter, must be installed between the meter of the house and the Load

# Connection of Delta Grid on Acrel meter

## Acrel meter with CT

CT A :

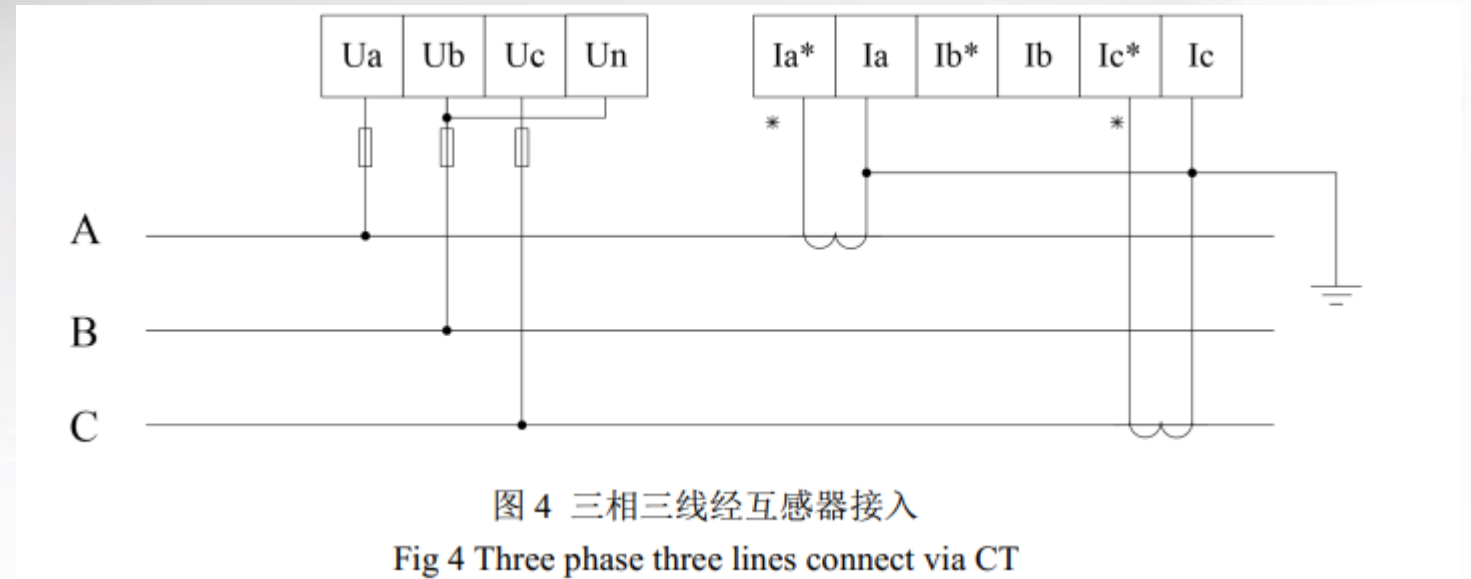
- S1 to Ia\* ,
- S2 to Ia

CT C :

- S1 to Ic\* ,
- S2 to Ic

Ua, Ub, Uc to the Phase A B C

Ub connect directly to Un



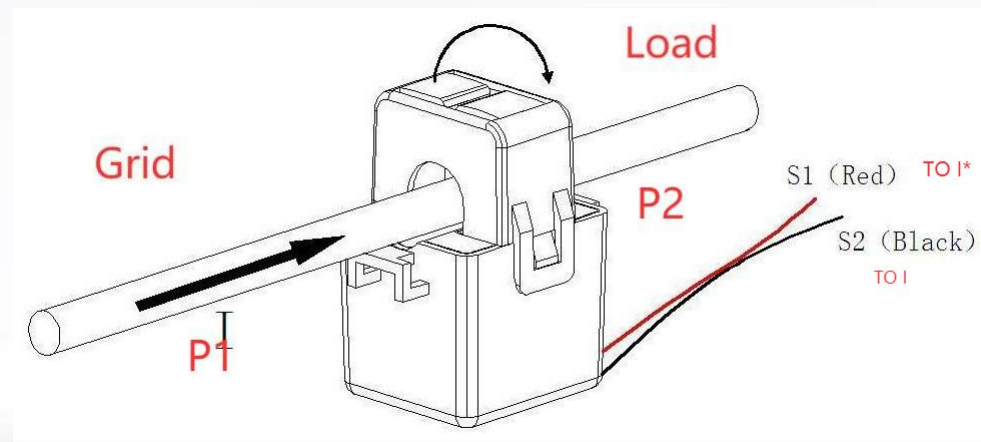
Pay attention to the position of the CT, must be installed between the meter of the house and the Load

# Connection of Delta Grid on Acrel meter

## Selection of Acrel CT

split core

K-24 150A~300A /5A 24mm hole  
K-36 300A~600A /5A 36mm hole  
can be used



# Connection of Delta Grid on Acrel meter

## Selection of the CT

xxxA/5A output CT can be used

xxx preferably between 130%-  
200% of the max current of the  
grid connection

K faces towards Load  
L faces towards Grid

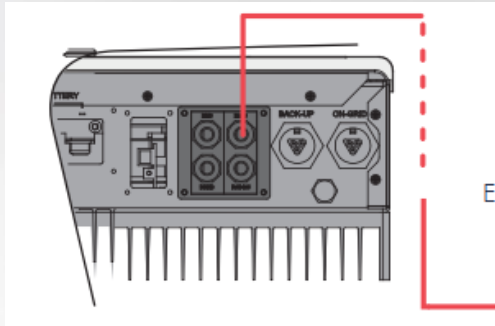




# Delta Grid on Acrel meter

## Connection to inverter

Cut off the cable “to Meter”







Connect the “Brown” to 21(Meter) , “Brown&white” to 22(Meter)



## Setting of the meter

### ■ Key function description

Key symbol	Key name	Function
	Menu	Enter/quit menu
	Voltage and current, up	Check the voltage and current
		Leftward and change flash in programming menu
	Power, down	Check the power
		Rightward and change the value on flash
	Energy, enter	Check the energy
		Enter in programming menu

## Setting of the meter

### ■ Key menu

Press **SET** at any main menu and get in “PASS” interface, and then press **↵** show “0000” , and enter the code. If you enter a wrong code, it will show “fail” and back to main menu; and if you enter a right code, you can set the parameter. After setting the parameter and press **SET** , it will show “save” and save the change by pressing **↵** in “yes” interface and quit without save by pressing **↵** in “no” interface.

# Delta Grid on Acrel meter

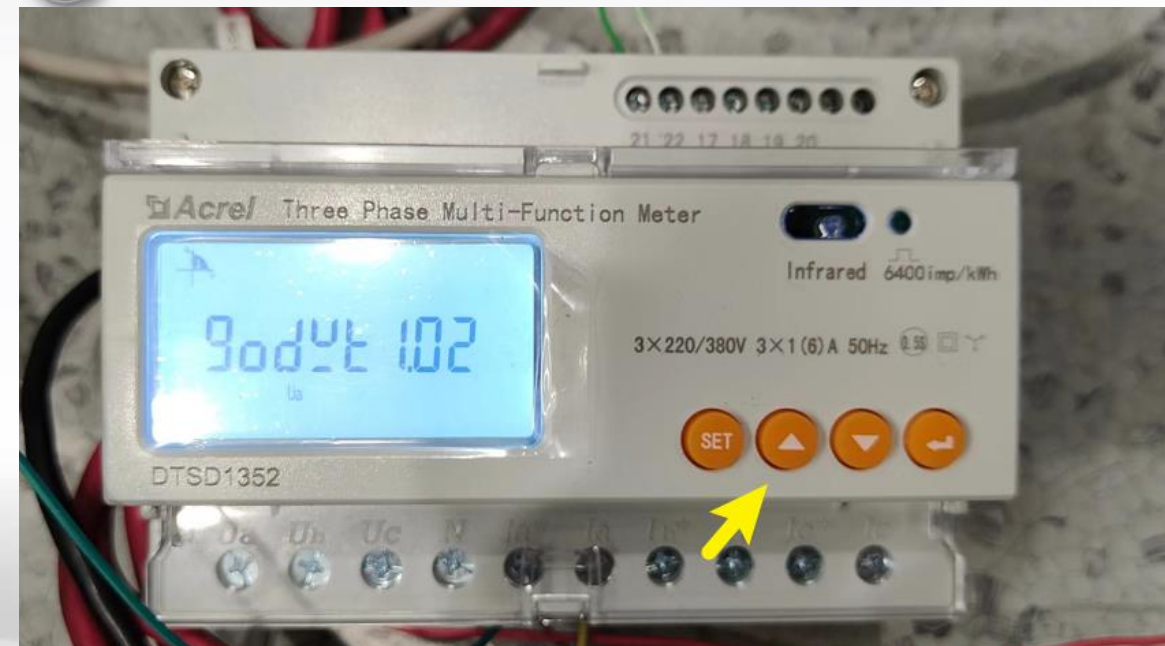
## Software version of the meter

Press the “UP” button to check the software version.

Goodwe Software should be display:

**GODWE 1.02/ 1.03**

Other software versions will not be supported.



## Setting of the meter

Please setup the following values via the menu

### Bus >

- ADDR : 3 ( for EH,BH,ET,BT serie)
- ADDR : 4 ( for EM,ES,SPB serie)
- BAUD : 9600,
- PARITY: NONE

### SYS

- PL : 3P3L(Delta Grid)
- PL : 3P4L(Star Grid)

### In





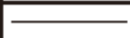
- CT : enter the CT ratio (If CT is 100A/5A, CT ratio is 20)
- If meter does not have external CT then no setup for In is required.



First menu		Second menu		
Symbol	Mean	Symbol	Mean	Range
BUS	Communi- cation settings	ADDR	Address setting	1-247
		Buad	Baud rate	19200、 9600、 4800、 2400、 1200
SyS	System settings	Parity	Parity	None、 Even
		PL	Network	3P4L:3 phase 4 lines 3P3L:3 phase 3 lines
		EF.E	Multi-tariff rate	EF:Multi-tariff rate E:No multi-tariff rate
		CoDE	Code setting	1-9999
		LED	Time of light	1-9999
In.	Transform er settings	Pt	Voltage transformer	1-9999
		Ct	Current transformer	1-9999

## Setting of the inverter

If the connection is successful between the **METER and the Battery** then Com LED will be solid on

 <b>COM</b>		ON = BMS AND METER COMMUNICATION OK
		BLINK1 = METER COMMUNICATION OK, BMS COMMUNICATION FAIL
		BLINK2 = BMS COMMUNICATION OK, METER COMMUNICATION FAIL
		OFF = BMS AND METER COMMUNICATION FAIL



The meter has 2 sets of GoodWe protocols.

If the COM LED is solid on and the inverter cannot read the power of the meter, then please contact the after-sales service. Please also make the sure the inverter is connected to SEMS-monitoring.

In this case the inverter needs to update the software.