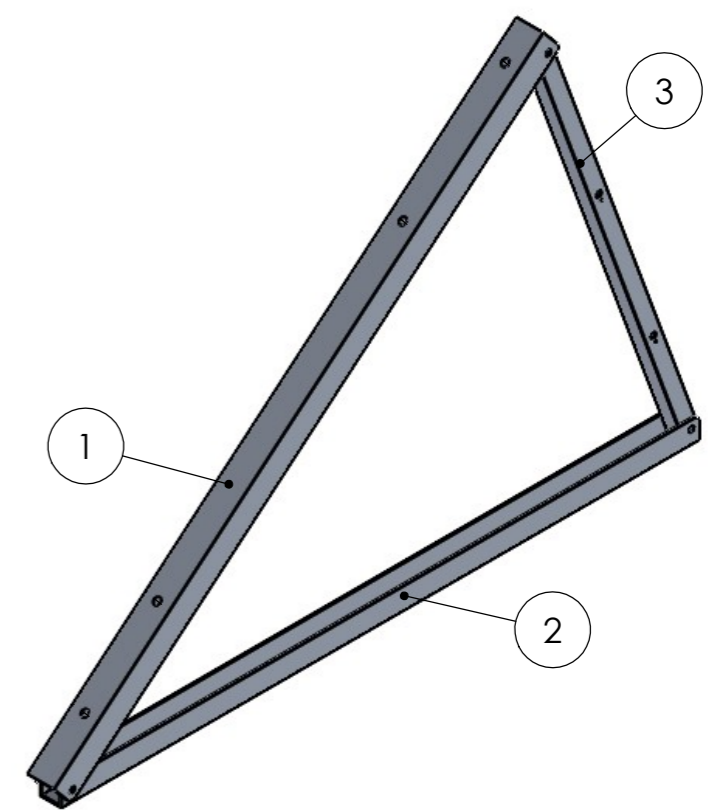
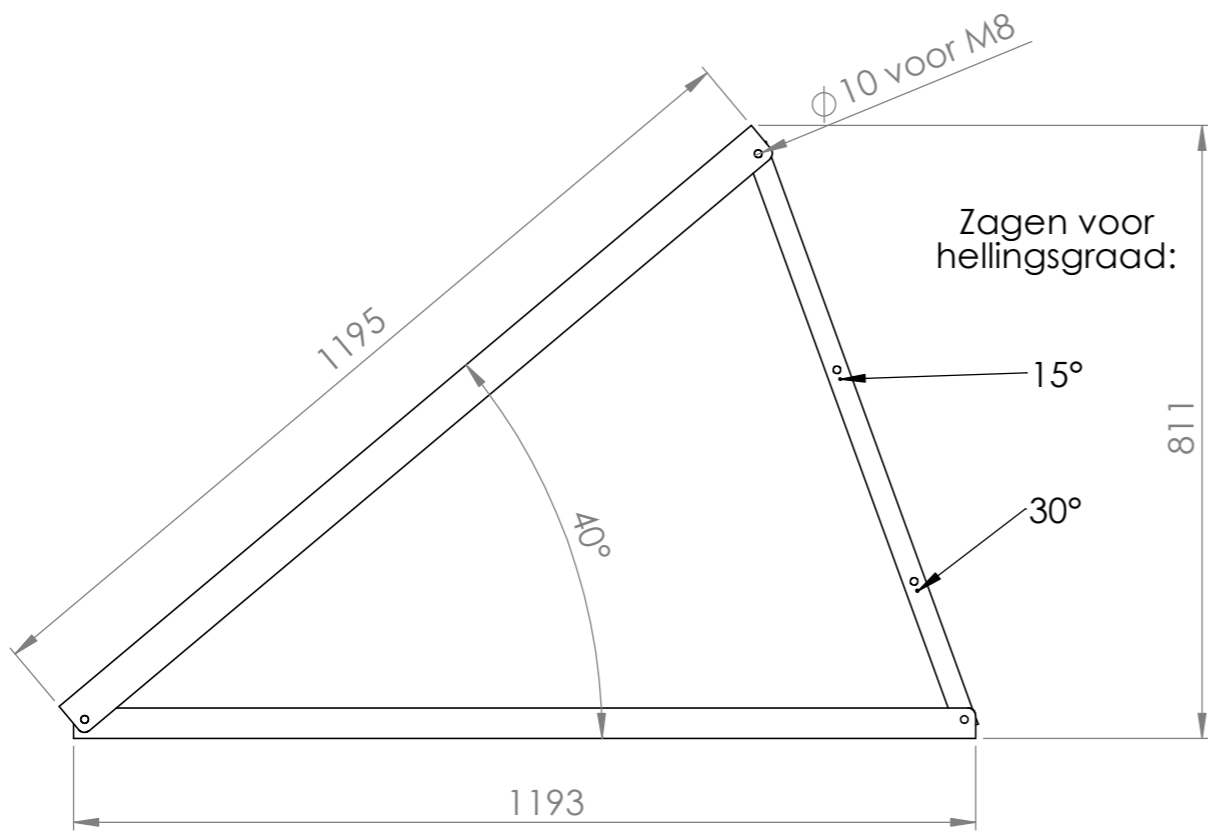
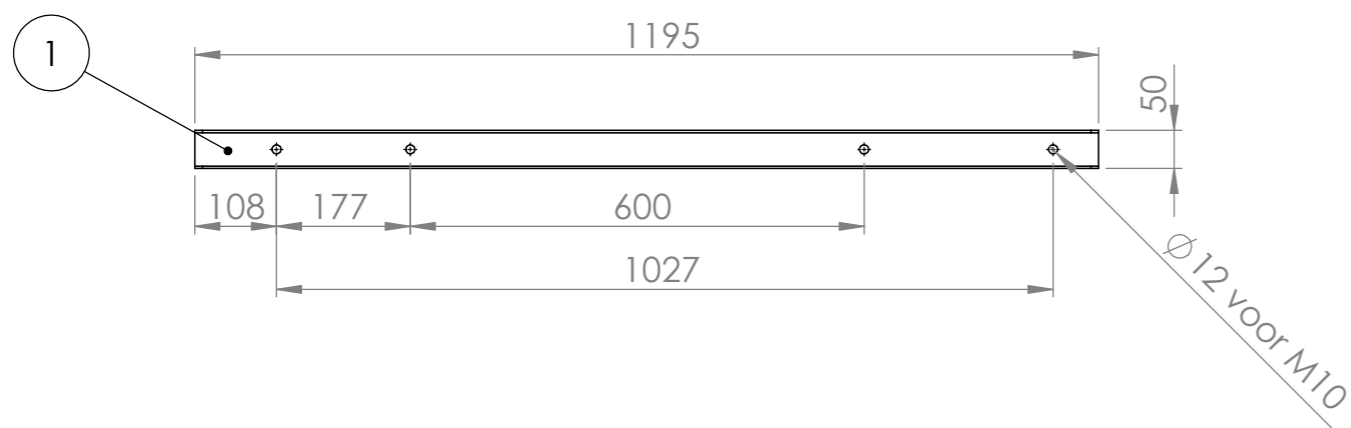


8 7 6 5 4 3 2 1

F
E
D
C
B
A

Gatenpatroon voor bevestiging montagerails:



ITEM NO.	PART NUMBER	DESCRIPTION	QTY.	LENGTH
1	Montagedrager	U 50x50x3	1	1195
2	Bodendrager	U 40x40x3	1	1193
3	Steun	Koker 30x30x2	1	820

UNLESS OTHERWISE SPECIFIED: DIMENSIONS ARE IN MILLIMETERS SURFACE FINISH: TOLERANCES: LINEAR: ANGULAR:		FINISH:	DEBURR AND BREAK SHARP EDGES	DO NOT SCALE DRAWING	REVISION
NAME	SIGNATURE	DATE		TITLE: Assembly 1 paneel	
DRAWN				DWG NO. A1	A3
CHK'D				SCALE:1:10	
APPV'D				SHEET 1 OF 1	
MFG			MATERIAL: Aluminium		
Q.A			WEIGHT:		

8 7 6 5 4 3 2 1