

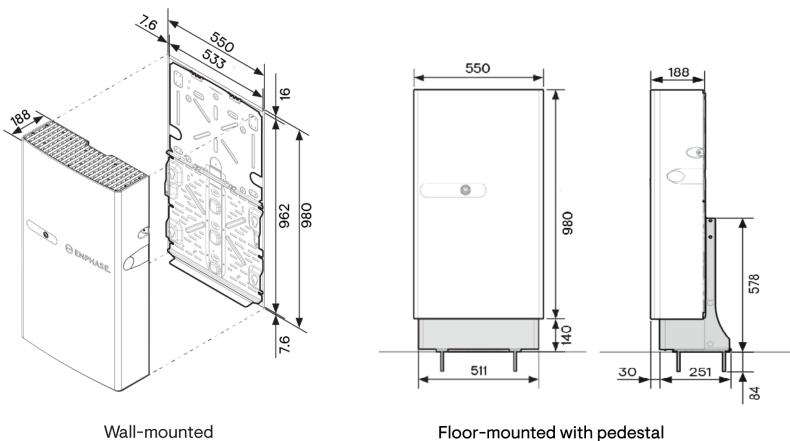
IQ Battery 5P with FlexPhase

The IQ Battery 5P with FlexPhase is an all-in-one AC-coupled system that is powerful, reliable, simple, and safe. The battery can be flexibly used in both single-phase and three-phase applications. It has a total usable energy capacity of 5.0 kWh and includes six embedded IQ8T-BAT Microinverters providing up to 3.84 kVA continuous power in single-phase configuration and 1.28 kVA continuous power per phase in three-phase configuration.



Key specifications	Single-phase	Three-phase
Rated (continuous) output power	3.84 kVA	3.84 kVA (1.28 kVA per phase)
Rated output current	16.7 A	16.7 A (5.56 A per phase)
Nominal AC voltage	230 V _{L-N}	230 V _{L-N} , 400 V _{L-L}
Nominal frequency	50 Hz	
Usable capacity	5.0 kWh	
Ambient operating temperature range	-20°C to 55°C	
Chemistry	Lithium iron phosphate (LFP)	
Mounting	Wall-mount/pedestal-mount	

Dimensions in mm



Powerful

- Delivers continuous power of upto 3.84 kVA in single-phase and 1.28 kVA per phase in three-phase configuration
- Includes six IQ8T-BAT Microinverters for reliable performance

Reliable

- 15-year limited warranty
- Passive cooling - no moving parts
- Uses wired control communication
- Remote software and firmware updates

Simple

- AC-coupled system for fast installation and commissioning
- Supports Self-Consumption, Full Backup, and AI optimization for dynamic tariffs
- Monitor and control via the Enphase App
- Field replaceable components

Safe

- Evaluated to UL 9540A, the highest industry standard for battery safety
- Lithium Iron Phosphate (LFP) chemistry for safety and longevity

Product details	IQ Battery 5P with FlexPhase	
Order code	IQBATTERY-5P-3P-INT	
Description	The IQ Battery 5P with FlexPhase is an AC-coupled battery (convertible between single-phase and three-phase) ¹ with integrated IQ8T-BAT Microinverters and a battery management system (BMS) with battery controller	
Output	Single-phase	Three-phase
Rated (continuous) output apparent power	3.84 kVA (for Austria and Switzerland: 3.68 kVA) ²	3.84 kVA (1.28 kVA per phase)
Rated output current	16.7 A (for Austria and Switzerland: 16 A) ³	16.7 A (5.56 A per phase)
Peak output current (3 seconds, 10 seconds) ⁴	33.4 A, 26.7 A	33.4 A (11.13 A per phase), 26.7 A (8.9 A per phase)
Nominal AC voltage	230 V _{L-N}	230 V _{L-N} , 400 V _{L-L}
Nominal AC voltage range	213 V _{L-N} -253 V _{L-N}	213 V _{L-N} -253 V _{L-N} (per phase)
Nominal frequency	50 Hz	
Nominal frequency range	47.5 Hz-51.5 Hz	
Power factor, grid-tied	0.8 leading ... 0.8 lagging	
Power factor, backup	1.0 leading ... 1.0 lagging	
AC round-trip efficiency ⁵	90%	
Operating modes	Self-Consumption, Full Backup ⁶ , AI optimization ⁷	
Battery module		
Usable capacity ⁸	5.0 kWh	
DC round-trip efficiency ⁹	96%	
Nominal DC voltage	76.8 V	
Ambient operating temperature (charging) ¹⁰	-20°C to 50°C	
Ambient operating temperature (discharging) ¹¹	-20°C to 55°C	
Chemistry	Lithium iron phosphate (LFP)	
Mechanical data		
Dimensions (H × W × D)	980 mm × 550 mm × 188 mm	
Lifting weight	69.5 kg	
Total installed weight	83 kg	
IP rating - IQ Battery	IP55	
IP rating - IQ8T-BAT Microinverter	IP67	
Cooling	Natural convection	
Altitude	<2500 m	

¹ Factory default configuration is set to single-phase. To switch to a three-phase configuration, refer to the instructions provided in the quick installation guide (QIG).

² In accordance with local regulations, the continuous apparent power output for single-phase configuration is limited to 3.68 kVA for Austria and Switzerland.

³ The rated output current for single-phase configuration is 16 A for Austria and Switzerland.

⁴ During backup operation.

⁵ AC to the battery to AC at 50% power rating at 25°C (at beginning of life). Actual round trip efficiencies can vary based on ambient temperatures, load patterns and other external factors.

⁶ IQ System Controller 3 INT is required for backup operation.

⁷ Available only in Germany.

⁸ The battery's usable capacity supports loads, turns PV on (when off-grid), in normal daily operation. The usable capacity includes a safety critical limit of 2% that safeguards the customer's asset in case of long-duration grid outage. An additional 3% capacity is maintained for battery electronic sustenance during the night. Refer to <https://link.enphase.com/iq-battery-usable-capacity-tech-brief> for more information.

⁹ At the beginning of life.

¹⁰ Reduction in charging power will occur at temperatures below 15°C and above 45°C.

¹¹ Reduction in discharging power will occur at temperatures below 5°C and above 50°C.

Mechanical data	
Mounting	Wall-mount (included) or pedestal-mount (sold separately)
Installation location	Indoor/Outdoor
Communication interfaces	
Communication	Wired control communication
Monitoring	Enphase Installer Platform, Enphase App, and API integration
Standards	
Grid compliance	Germany: VDE-AR-N 4105:2018 Switzerland: NA/EEA-NE7 - CH2020 Austria: TOR Erzeuger Typ A V1.2 2022
EMI	EN 55011, EN 55032, EN 61000-6-2, EN 61000-6-3, EN 61000-3-2, EN 61000-3-3, EN 61000-3-11, EN 61000-3-12
Safety	UN 38.3, EN IEC 62109-1 & 2, EN 62040-1, EN 62909-1:2017, IEC 62619
EC Declaration of Conformity ¹²	Battery Regulation (EU) 2023/1542, Electro Magnetic Compatibility (EMC) Directive 2014/30/EU, Low Voltage Directive (LVD) 2014/35/EU, Directive (EU) 2024/232 + 2015/863/EU + 2011/65/EU on Restriction of Hazardous Substances (RoHS)
Product labelling	CE
Limited warranty	
Limited warranty	>60% capacity, up to 15 years or 6000 cycles ¹³
What's in the box (Order code: IQBATTERY-5P-3P-INT)	
IQ Battery 5P with FlexPhase	Base battery unit of IQ Battery 5P with FlexPhase with six integrated IQ8T-BAT Microinverters
ID cover and conduit cover	IQ Battery ID cover along with four conduit covers, two each for the left and right sides of the unit
Bottom mounting bracket and top protective shield	Bottom mounting bracket for mounting the battery unit on the wall and one top protective shield
M5 locking screws	Two M5 locking screws for securing the battery unit on the bottom mounting bracket
M4 grounding screws	Two M4 grounding screws for securing the top protective shield on the bottom mounting bracket
M5 ID cover grounding screws	Two M5 ID cover grounding screws for fixing ID cover to battery base unit
Cable ties	Six cable ties for securing field cables to the unit
Control (CTRL) connector	One pre-installed and one spare CTRL connector without resistor for CTRL wiring
Control (CTRL) connector with resistor	One pre-installed and one spare CTRL connector with resistor for CTRL wiring
Quick install guide (QIG)	IQ Battery 5P with FlexPhase installation instructions
Control (CTRL) drain connector	One pre-installed and one spare CTRL drain connector for CTRL wiring
Drill template	One drill template for marking drilling locations on the mounting surface
Accessories and replacement parts	
IQBATTERY-5P-3P-INT-RMA	IQ Battery 5P with FlexPhase unit for field replacement
B305-CX-0550-O	IQ Battery 5P cover only (includes one ID cover)

¹² Full text of the EU Declaration of Conformity (DoC) is available at <https://enphase.com>.

¹³ Whichever occurs first. Restrictions apply. The full text of the warranty is available at <https://enphase.com/installers/resources/warranty>.

Accessories and replacement parts	
B305-CP-0140-O	IQ Battery 5P conduit plates only (includes four conduit covers, two each for the left and right sides of the unit)
B05-WB-0543-O	IQ Battery 5P wall bracket only (includes one wall bracket and one top shield)
B05-PM-0550-O	IQ Battery 5P Pedestal Mount
IQBATTERY-HNDL-5	One set of IQ Battery 5P Lifting Handles (includes one left-side and one right-side lifting handle)
B305-ACFB-200-O	IQ Battery 5P AC Filter board only (includes AC filter board PCBAs)
B305-BMSIA-0490-O	IQ Battery 5P BMS board only (includes one BMS board PCBA of INT)
B305-IICS-0524-O	IQ Battery 5P in-house control switch only. Includes one inhouse control switch preinstalled on the IQ Battery 5P wiring cover (INT)
B305-CANBI-042-O	IQ Battery 5P control communications board only (includes one control communications PCBA)
IQ8T-BAT-RMA	Enphase IQ8T-BAT Microinverter for IQ Battery 5P with Flexphase for field replacement
B305-TBL-077-O	IQ Battery 5P Line terminal block
B305-TBN-077-O	IQ Battery 5P Neutral terminal block
B305-TBG-077-O	IQ Battery 5P Ground terminal block
B305-FUSE-0005-O	IQ Battery 5P fuse
B305-TBJ-085-O	IQ Battery 5P jumper
Compatibility	
IQ Combiner 2 EU 3P	X-I Q-EURO-230-3P-4-2
IQ Gateway Metered	ENV-S-WM-230 and ENV-S-EM-230
IQ Relay (single-phase and three-phase)	Q-RELAY-1P-INT and Q-RELAY-3P-INT
Communications Kit 2 INT (for grid-tied operation)	COMMS-KIT-INT-02
IQ System Controller 3 INT (for backup operation)	SC100G-M230ROW
Solar inverters	IQ7, IQ8 Series Microinverters, third-party PV string inverters ¹⁴

Note for third-party products

Any third-party manufacturer or importer of product(s) used to install or commission Enphase product(s) shall comply with the applicable EU Directive(s) and requirements in the European Economic Area (EEA). It is the responsibility of the installer to confirm that all such products are labelled correctly and have the required compliant supporting documentation.

Manufacturer: Enphase Energy Inc., 47281 Bayside Pkwy., Fremont, CA, 94538, United States of America, PH: +1 (707) 763-4784

Importer: Enphase Energy NL B.V., Het Zuiderkruis 65, 5215MV, 's-Hertogenbosch, The Netherlands, PH: +31 73 3035859

Assembled in China.

¹⁴ Refer to the Systems planning guide for more information on using third-party PV string inverters with IQ System Controller 3 INT in backup systems.

Components of the Enphase Energy System



IQ System Controller 3 INT

The system controller is an integrated enclosure containing all components necessary for backup operation in case of grid outage.



IQ Microinverters

IQ Series Microinverters pack more power into less space than other rooftop solar systems and make rooftop solar more productive, reliable, smart, and safe.



IQ Combiner 2 EU 3P

The IQ Combiner 2 EU 3P is a pre-wired plug-and-play solution with IQ Gateway Metered, IQ Relays, Communications Kit 2, circuit breakers, and RCD.



IQ Battery 5P with FlexPhase accessories

The lifting handles are reusable and ease the installation process. The pedestal enables floor mounting of the battery.

Revision history

Revision	Date	Description
DSH-00477-3.0	December 2024	Added the Luxembourg region and removed the preliminary tag.
DSH-00477-2.0	October 2024	Added footnotes and editorial updates.
DSH-00477-1.0	June 2024	Initial release.